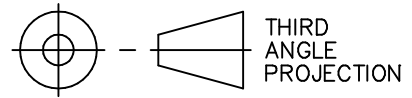


DRAWING NUMBER
DS509162

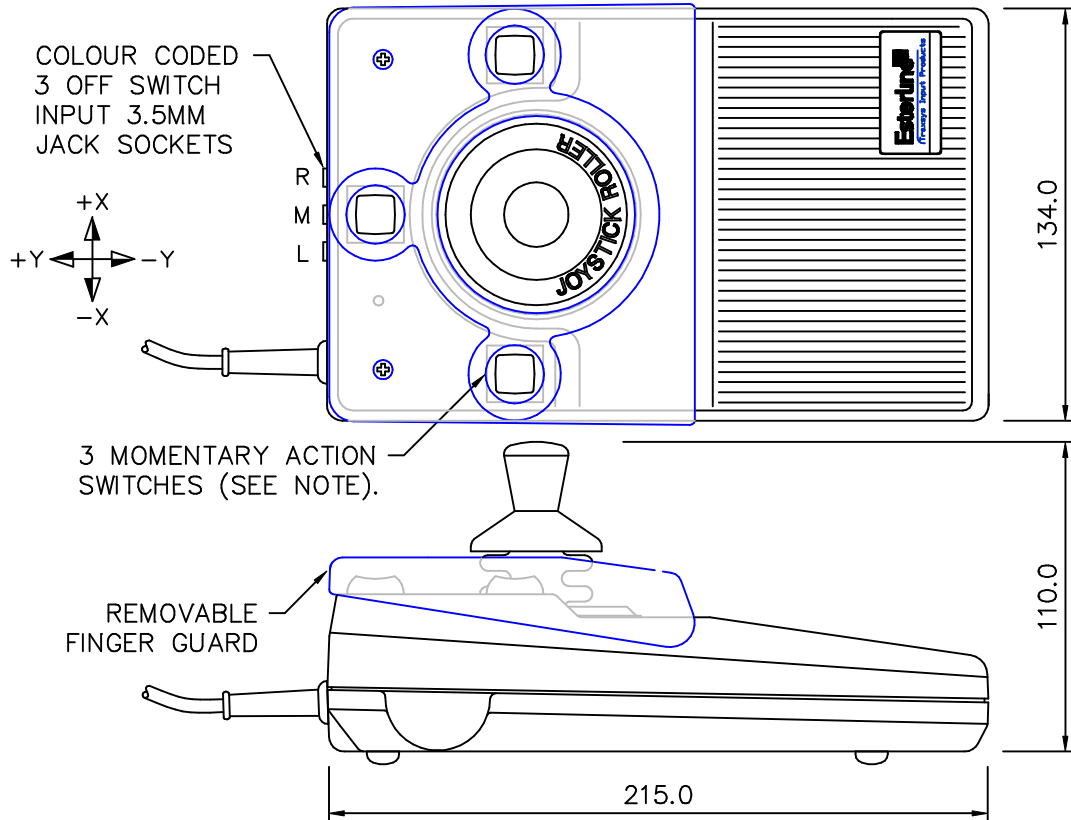
DATA SHEET



USED ON

D or CAT No

M.A/S.A



SPECIFICATION

CASE ~ MID GREY, A.B.S.
 JOYSTICK ~ DUAL AXIS P+G JC2000.
 CABLE ~ 2 MTRS, WHITE PVC SHEATH.
 CONNECTOR ~ USB SERIES 'A'.
 (PS2 ADAPTER SUPPLIED).
 SUPPLY ~ +5V D.C ±5% @ 150mA MAX.
 OUTPUT ~ UNIT WILL AUTODETECT TO EITHER PS/2 OR USB DEPENDENT ON HOST.
 ACCESSORIES ~ FOAM KNOB & T-BAR.

CONNECTION DETAILS

PIN	DESCRIPTION
1	+5V (RED)
2	- DATA (WHITE)
3	+ DATA (GREEN)
4	0V GND (BLACK)

LEFT BUTTON (YELLOW) & RIGHT BUTTON (BLUE) EMULATE RESPECTIVE USB BUTTONS.
 MIDDLE BUTTON (GREEN):
 1st PRESS ACTIVATES LATCHING "DRAG SWITCH" FACILITY.
 2nd PRESS RELEASES THE ELECTRONIC LATCH.
 ACTUATION OF LATCH INDICATED BY FLASHING LED.
 PRESS & HOLD MIDDLE & RIGHT BUTTONS TO TOGGLE 'FAST MODE' ON & OFF.
 PRESS & HOLD MIDDLE & LEFT BUTTONS TO TOGGLE 'LEFT HANDED' & 'RIGHT HANDED' BUTTON CONFIGURATION.

ISSUE	1	1A	1B	2	2A	3		
DATE	15.5.01	22.11.01	25.2.02	29.5.02	28.10.02	24.05.05		
CHANGE	NEW DWG	ECN0963	ECN0968	ECN1008	ECN1044	ECN1251		

MATERIAL	FINISH	TOL.	SCALE
—	—	±1.0	—
			DIMS mm

APP

CHKD



Esterline Corporation.
 Ringwood, Hampshire. BH24 1EU.
 Tel: +44 (0) 1425 463100
 Fax: +44 (0) 1425 463111
 www.traxsys.com

DRAWN
R.HARNETT

TITLE
ROLLER JOYSTICK
(JSDR/2A/G1/UP2)

SIZE
A4

DRAWING NUMBER
DS509162