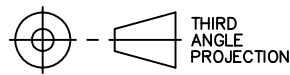


DRAWING NUMBER  
DS48297

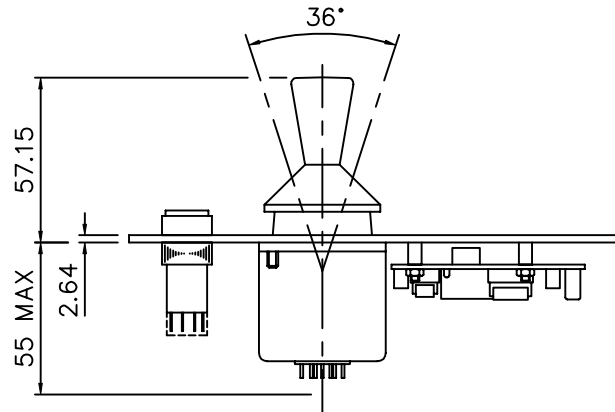
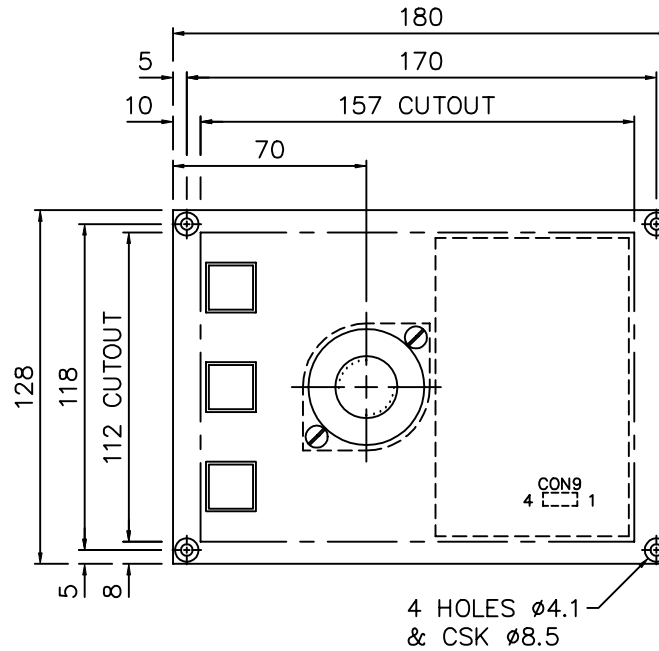
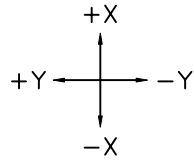
DATA SHEET



USED ON

D or  
CAT.No

M.A./S.A.



SPECIFICATION

FACIA PLATE ~ 12 SWG MILD STEEL, FINISH: POWDER COAT, COLOUR: GREY.  
 SWITCHES ~ 3 MOMENTARY ACTION, COLOUR BLACK.  
 JOYSTICK ~ DUAL AXIS, SELF CENTRING.  
 OPERATING ANGLE ~ 36°.  
 OPERATING FORCE ~ 300 GRMS APPROX.  
 CONNECTOR ~ 4 WAY, LOW PROFILE MOLEX HEADER, 5483 SERIES.  
 SUPPLY ~ +5V DC ±5% @ 40mA MAX.  
 OUTPUT ~ PS2 AUXILIARY INPUT COMPATIBLE, FORMAT 26.

PANEL CUTOUT DIMENSIONS = 157mm x 112mm.

CONNECTION DETAILS (CON9)

PIN	DESCRIPTION
1	0V GND
2	DATA
3	+5V
4	CLOCK

APP.	MATERIAL	FINISH	TOL.	SCALE 1:2	ISSUE	1	1A				
	-	-	±0.5	DIMNS MM	DATE	16.10.95	9.11.98				
CHKD.					CHANGE	CH535	ECN0544				

DRAWN R.HARNETT	<p>Penny &amp; Giles Computer Products                  Ringwood, Hampshire. BH24 1EU.                  Tel: +44 (0) 1425 463100                  Fax: +44 (0) 1425 463111                  www.penny-gilescp.co.uk</p>	TITLE	SIZE	DRAWING NUMBER
		FACIA MOUNTED DIGITAL JOYSTICK PS2 COMPATIBLE	A3	DS48297