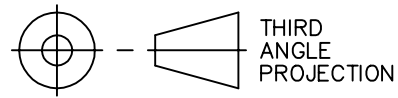


DRAWING NUMBER  
DS48252

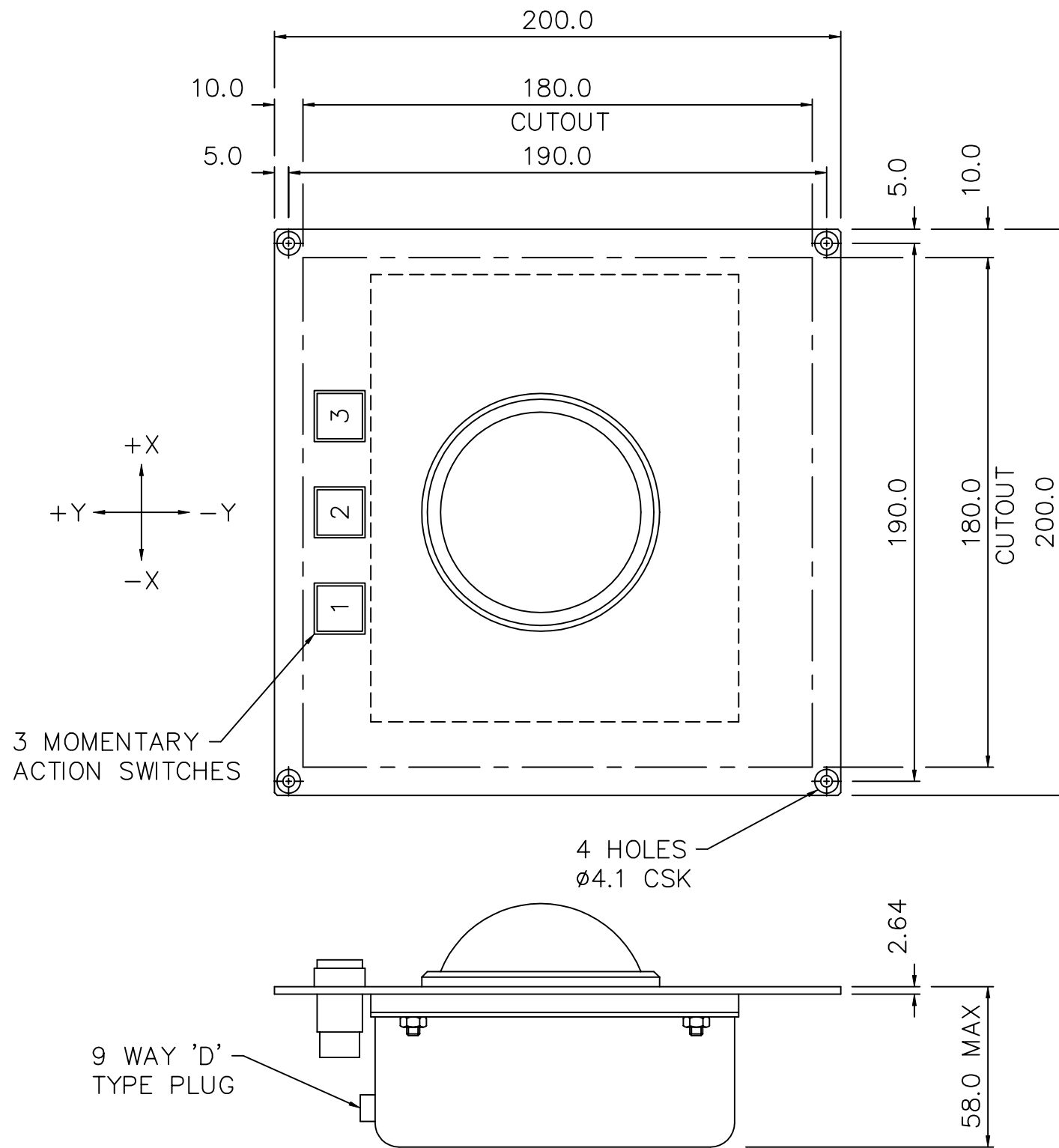
DATA SHEET



USED ON

D or CAT.No

M.A./S.A.




SPECIFICATION

BALL ~  $\phi 3.0$ " PHENOLIC, COLOUR YELLOW.  
 FACIA ~ 12 SWG STAINLESS STEEL BS1449, POWDER COAT TO BS00 A 07, FINE MATT TEXTURE.  
 RESOLUTION ~ 1000 EDGES PER BALL REV.  
 CONNECTOR ~ 9 WAY 'D' TYPE PLUG.  
 SUPPLY ~ +5V D.C  $\pm 5\%$  @ 50mA MAX.  
 OUTPUT ~ AUTO DETECT EITHER PS2 OR USB DEPENDING ON HOST

CONNECTION DETAILS

SERIAL OUTPUT (9W D TYPE):

PIN	DESCRIPTION
	PS2          USB
1	CLOCK          + DATA
2	DATA          - DATA
3	LEFT BUTTON (I/P)
4	RIGHT BUTTON (I/P)
5	MIDDLE BUTTON (I/P)
6	0V GND
7	+5V
8	N/C
9	0V GND

APP. <i>[Signature]</i>	MATERIAL -	FINISH -	TOL. $\pm 0.5$	SCALE 1:2 DIMNS MM	ISSUE 1 DATE 9.5.97	ISSUE 2 DATE 30.07.99	ISSUE 2A DATE 10.4.02	ISSUE 3 DATE 13.11.03	ISSUE 4 DATE 1.2.05		
CHKD. <i>[Signature]</i>	 <p>Esterline Corporation. Ringwood, Hampshire. BH24 1EU. Tel: +44 (0) 1425 463100 Fax: +44 (0) 1425 463111 www.traxsys.com</p>				TITLE FACIA MOUNTED LOW PROFILE 3" TRACKERBALL PS2 AND USB COMPATIBLE			SIZE A3	DRAWING NUMBER DS48252		
DRAWN R.HARNETT											