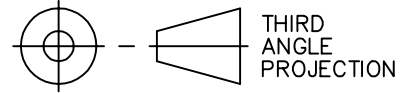


DRAWING NUMBER
DS48245

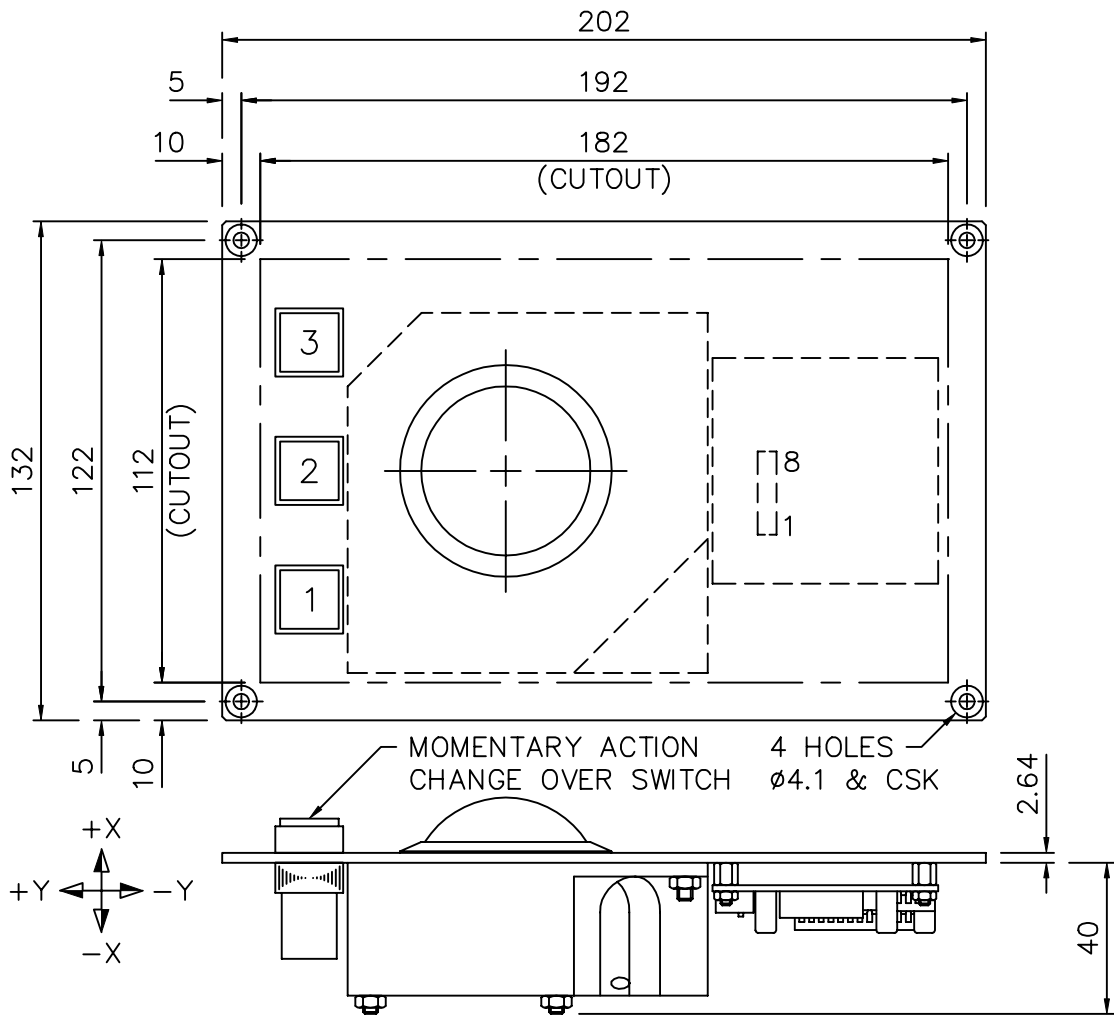
DATA SHEET



USED ON

D or
CAT No

M.A/S.A



SPECIFICATION

BALL ~ ~ $\phi 2.0$ " COLOUR: YELLOW.
 FACIA ~ ~ 12 SWG MILD STEEL, ZINC PLATED
 & POWDER COATED TO BS00 A 07,
 FINE MATT TEXTURE.
 RESOLUTION ~ ~ 800 EDGES/REVOLUTION.
 CONNECTOR ~ ~ 8 WAY MALE, LOW PROFILE,
 2.54 PITCH.
 SUPPLY ~ ~ +5V D.C $\pm 5\%$ @ 50mA MAX.
 OUTPUT ~ ~ PS2 AUXILIARY INPUT COMPATIBLE,
 FORMAT 26.

CONNECTION DETAILS

PIN	DESCRIPTION
1	0V GND
2	RESERVED
3	RESERVED
4	+5V
5	+5V
6	DATA
7	CLOCK
8	0V GND

ISSUE	4	4A	4B				
DATE	5.10.95	15.4.96	24.2.98				
CHANGE	CH216.4	CH216.5	ECN0698				
MATERIAL	-		FINISH	-		TOL. ± 0.5	
APP						SCALE	-
CHKD						DIMS	mm



AID UK - An Esterline Company
 Ringwood, Hampshire. BH24 1EU.
 Tel: +44 (0) 1425 463100
 Fax: +44 (0) 1425 463111
www.penny-gilescp.co.uk

DRAWN
R.HARNETT

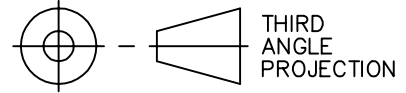
TITLE
2" FACIA MOUNTED TRACKERBALL

SIZE
A4

DRAWING NUMBER
DS48245

DRAWING NUMBER
DS48754

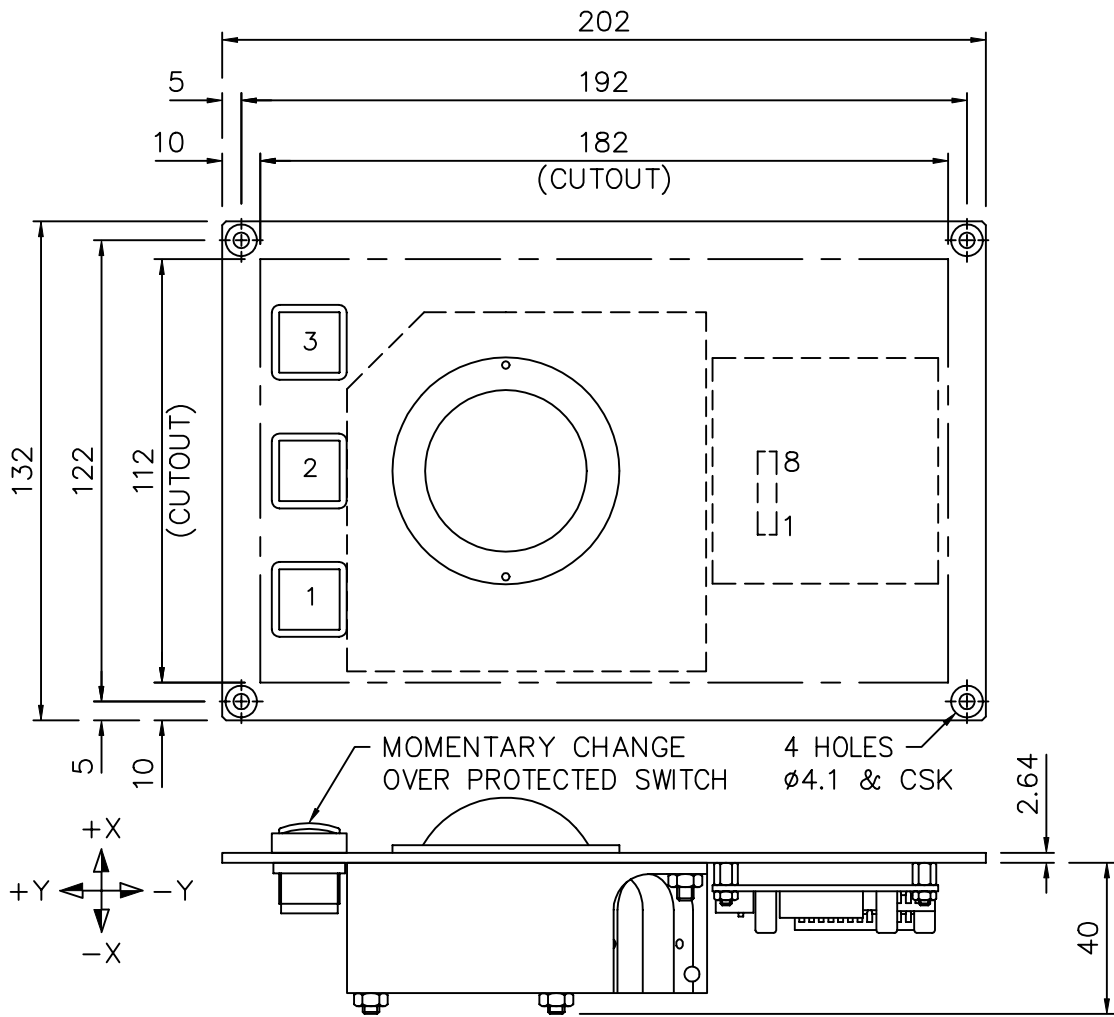
DATA SHEET



USED ON

D or
CAT No

M.A/S.A



SPECIFICATION

BALL ~ ϕ 2.0" COLOUR: YELLOW.
 TOP RING ~ P.T.F.E. BALL SEAL/RESTRAINING RING.
 FACIA ~ 12 SWG MILD STEEL, ZINC PLATED & POWDER COATED TO BS00 A 07, FINE MATT TEXTURE.
 RESOLUTION ~ 800 EDGES/REVOLUTION.
 CONNECTOR ~ 8 WAY MALE, LOW PROFILE, 2.54 PITCH.
 SUPPLY ~ +5V D.C \pm 5% @ 50mA MAX.
 OUTPUT ~ PS2 AUXILIARY INPUT COMPATIBLE, FORMAT 26.

CONNECTION DETAILS

PIN	DESCRIPTION
1	0V GND
2	RESERVED
3	RESERVED
4	+5V
5	+5V
6	DATA
7	CLOCK
8	0V GND

ISSUE	2	2A			
DATE	5.10.95	28.2.00			
CHANGE	CH478.3	ECN0544			
MATERIAL	FINISH		TOL.	SCALE	
-	-		\pm 0.5	-	
APP				DIMS mm	



AID UK - An Esterline Company
 Ringwood, Hampshire. BH24 1EU.
 Tel: +44 (0) 1425 463100
 Fax: +44 (0) 1425 463111
www.penny-gilescp.co.uk

DRAWN
R.HARNETT

TITLE PROTECTED 2.0" FACIA MOUNTED
PS2 TRACKERBALL (TBFA/50/P1)

SIZE
A4

DRAWING NUMBER
DS48754