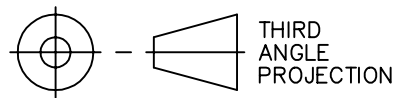


DRAWING NUMBER
DS48867

DATA SHEET

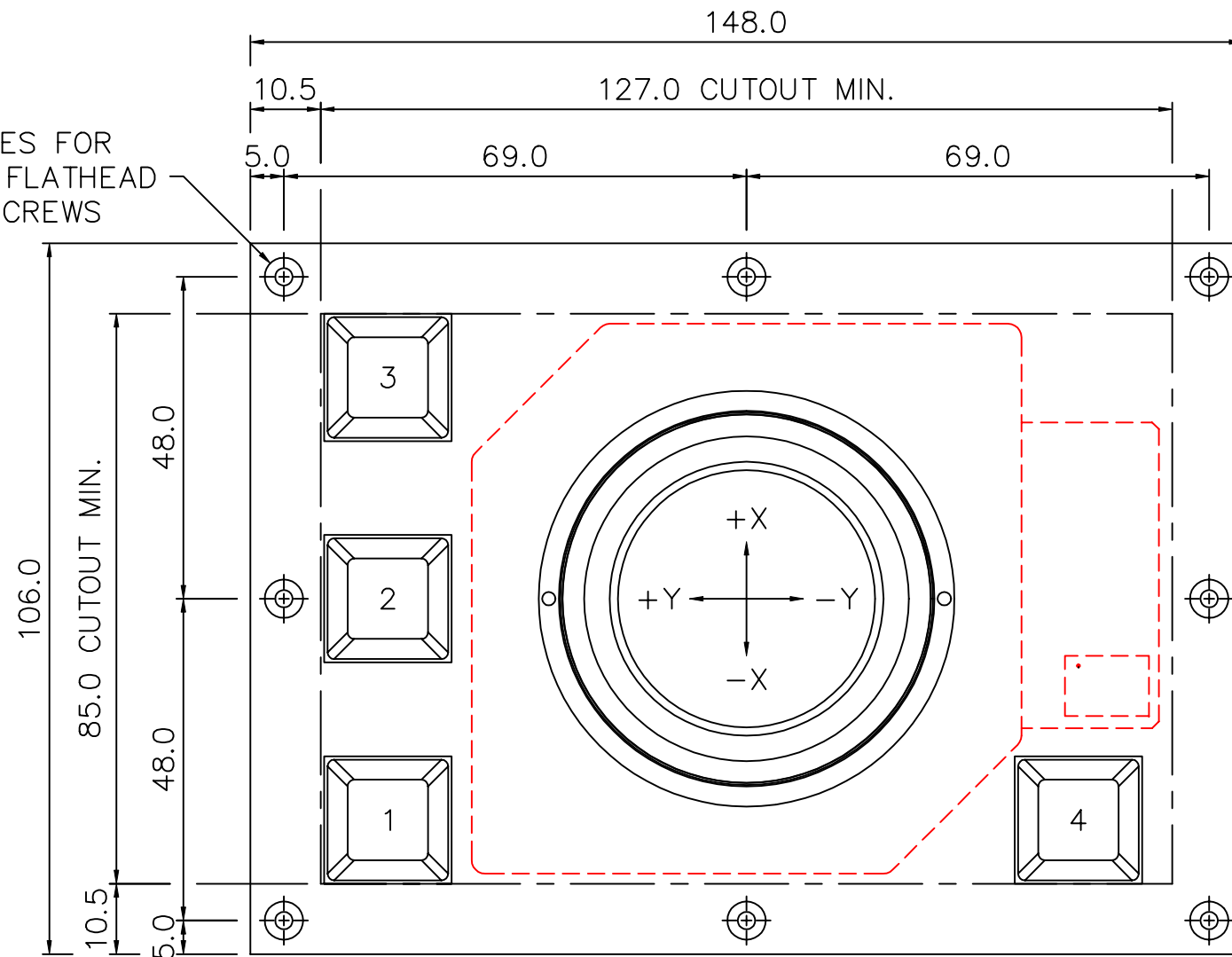


USED ON

D or
CAT.No

M.A./S.A.

8 MTG HOLES FOR
4-40 UNC FLATHEAD
100° CSK SCREWS

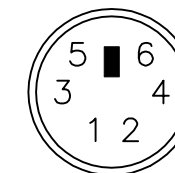


SPECIFICATION

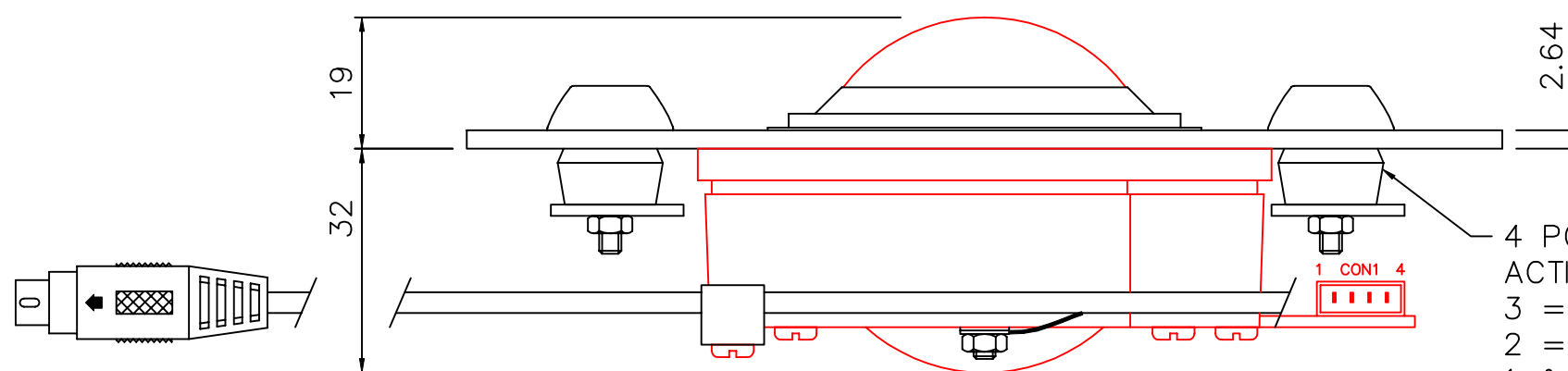
- BALL ~ $\phi 2.0$ ", COLOUR: BLACK.
- BALL SEAL ~ NITRILE RUBBER RING.
- FACIA ~ STAINLESS STEEL & POWDER COAT TO GREY 26307 (FEDERAL STANDARD 595).
- CABLE ~ 6 ft -0/+6", PVC SHEATHED, COLOUR: GREY
- CONNECTOR ~ 6 WAY MINI DIN PLUG.
- SUPPLY ~ +5V D.C $\pm 5\%$ @ 60mA MAX.
- OUTPUT ~ PS2 COMPATIBLE.

CONNECTION DETAILS

PIN	DESCRIPTION
1	DATA
2	N/C
3	0V GND
4	+5V
5	CLOCK
6	N/C



CONNECTOR LOOKING
ON OPEN END.



4 PCB MOUNTED MOMENTARY
ACTION SWITCHES.
3 = RH SWITCH
2 = MIDDLE SWITCH
1 & 4 = LH SWITCH WITH TIME DELAYED DRAG.

APP.	MATERIAL	FINISH	TOL.	SCALE	ISSUE	1	2	2B	3	4	4A	5	5A
	-	-	± 0.2	1:1	DATE	15.4.97	14.4.99	17.1.02	13.12.02	06.01.04	03.02.04	16.11.04	11.01.06
CHKD.				DIMNS MM	CHANGE	ISSUED	ECN0767	ECN0955	ECN0908	ECN1143	ECN1061	ECN1169	ECN1336



Esterline Corporation.
Ringwood, Hampshire. BH24 1EU.
Tel: +44 (0) 1425 463100
Fax: +44 (0) 1425 463111
www.traxsys.com

TITLE
2" FACIA MOUNTED TRACKERBALL

SIZE
A3

DRAWING NUMBER
DS48867