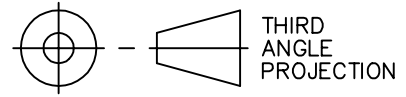


DRAWING NUMBER
DS43109

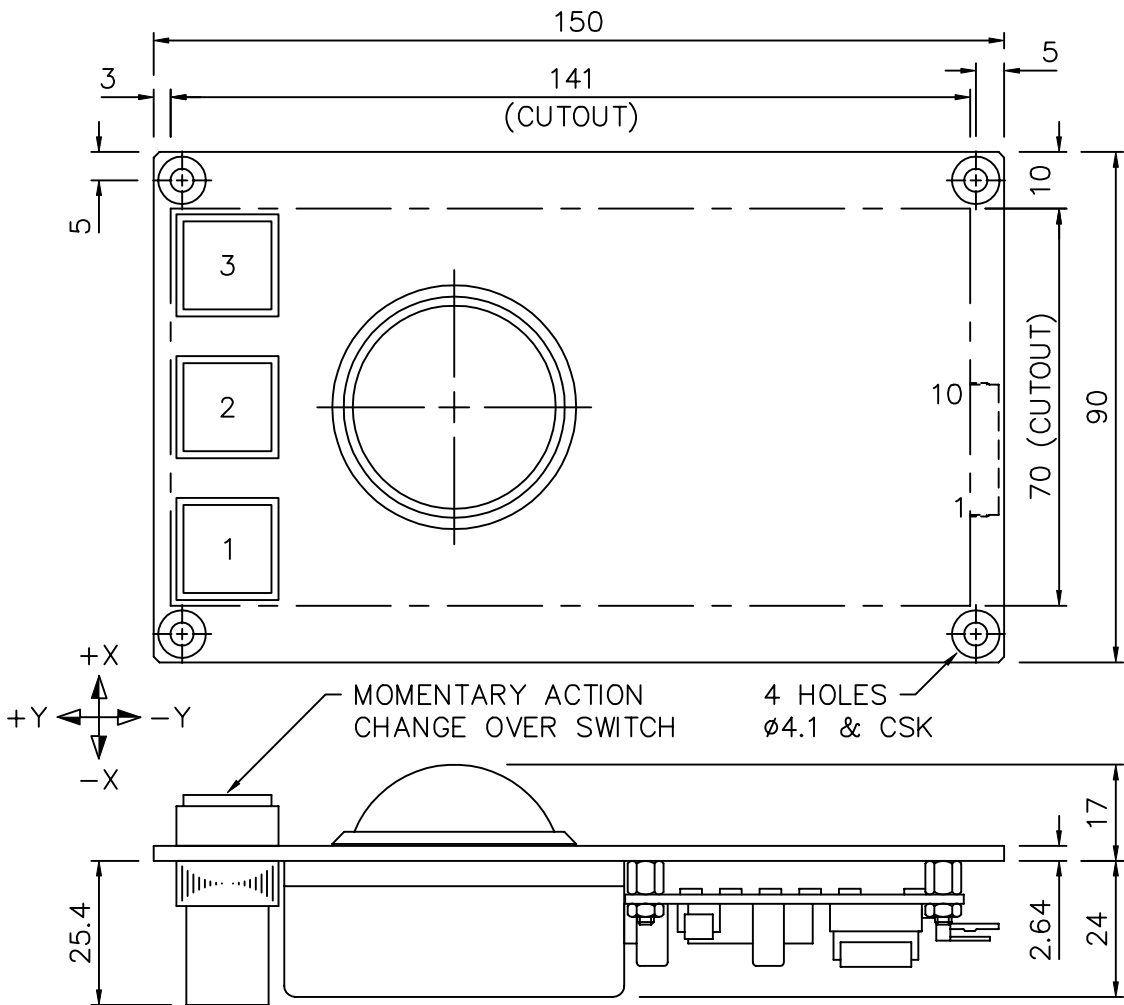
DATA SHEET



USED ON

D or
CAT No

M.A/S.A



SPECIFICATION

BALL ~ ø1.5" COLOUR: BLACK.
 FACIA ~ 12 SWG MILD STEEL, ZINC PLATED
 & POWDER COATED TO BS00 A 07,
 FINE MATT TEXTURE.
 RESOLUTION ~ 800 EDGES/REVOLUTION.
 CONNECTOR ~ 10 WAY MALE, SQUARE PIN,
 2.5 PITCH.
 SUPPLY ~ +5V D.C ±5% @ 50mA MAX.
 OUTPUT ~ RS232 LEVELS, FORMAT 22
 (MICROSOFT), 1200 BAUD.

CONNECTION DETAILS

PIN	DESCRIPTION
1	0V GND
2	+5V
3	Tx
4	Rx
5	N/C
6	BUSY
7	N/C
8	SWITCH 1
9	SWITCH 2
10	SWITCH 3

ISSUE	5	5A	6	6A	6C	
DATE	22.9.95	5.2.96	8.8.97	17.2.98	11.1.02	
CHANGE	CH8446.9	CH8446.10	ECN0646	ECN0698	ECN0947	
MATERIAL	-		FINISH	-		TOL. ±0.5
APP						SCALE -
CHKD						DIMS mm



Traxsys - An Esterline Company
 Ringwood, Hampshire. BH24 1EU.
 Tel: +44 (0) 1425 463100
 Fax: +44 (0) 1425 463111
 www.traxsys.com

DRAWN
R.HARNETT

TITLE
1.5" FACIA MOUNTED TRACKERBALL
MICROSOFT (TBFA/38/U1/MSF)

SIZE
A4

DRAWING NUMBER
DS43109