

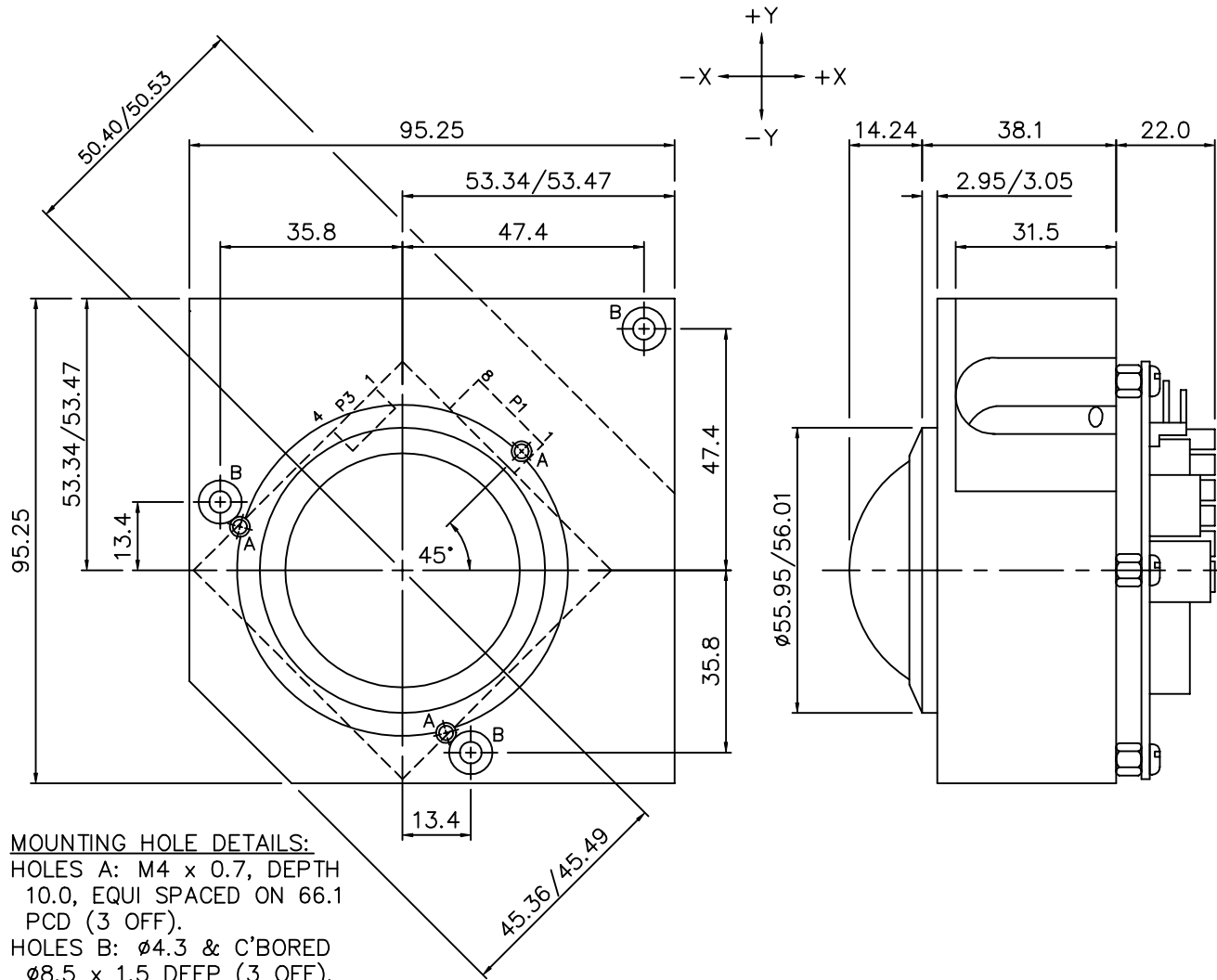
DRAWING NUMBER
DS48273

3rd ANGLE PROJECTION

USED ON

D or
CAT.No

M.A./S.A.



MOUNTING HOLE DETAILS:
 HOLES A: M4 x 0.7, DEPTH 10.0, EQUI SPACED ON 66.1 PCD (3 OFF).
 HOLES B: ϕ 4.3 & C'BORED ϕ 8.5 x 1.5 DEEP (3 OFF).

SPECIFICATION

BALL ~ ϕ 2.0", COLOUR: YELLOW.
 CHASSIS ~ CHROMIC ANODISED, HE30 ALUMINUM ALLOY.
 RESOLUTION ~ 800 EDGES/BALL REV.
 CONNECTOR ~ P1: 8 WAY SQ PIN, 2.5MM PITCH, 90° HEADER, (MOLEX 5046 SERIES).
 P3: 4 WAY LOW PROFILE 2.5MM PITCH HEADER, (MOLEX 5483 SERIES).


SUPPLY:

VOLTAGE ~ +5V D.C \pm 5%.
 CURRENT ~ 30mA MAX.
 OUTPUT ~ PS2 AUXILIARY INPUT COMPATIBLE.

CONNECTION DETAILS

| PIN | DESCRIPTION |
|-----|-------------------|
| | P1 P3 |
| 1 | 0V GND 0V GND |
| 2 | +5V MIDDLE SWITCH |
| 3 | DATA RIGHT SWITCH |
| 4 | CLOCK LEFT SWITCH |
| 5 | N/C - |
| 6 | N/C - |
| 7 | N/C - |
| 8 | N/C - |

| | | | | | | | | | | | | | |
|------|-----------------------|---------------------|-------------------|-----------------------|---------|--------------|----------------|--|--|--|--|--|--|
| APP. | MATERIAL SEE NOTES | FINISH SEE NOTES | TOL. \pm 0.5 | SCALE 1:1 DIMNS MM | ISSUE 1 | DATE 13.1.98 | CHANGE NEW DWG | | | | | | |
|------|-----------------------|---------------------|-------------------|-----------------------|---------|--------------|----------------|--|--|--|--|--|--|

| | | | | | |
|----------------|---|--|--|------|----------------|
| CHKD. |  | Penny & Giles Computer Products LTD Christchurch Dorset. Tel (01202) 481751 | TITLE | SIZE | DRAWING NUMBER |
| DRAWN R.J.H | | | 2" PANEL MOUNTED TRACKERBALL TBPB/50/U1/PS2 | A3 | DS48273 |

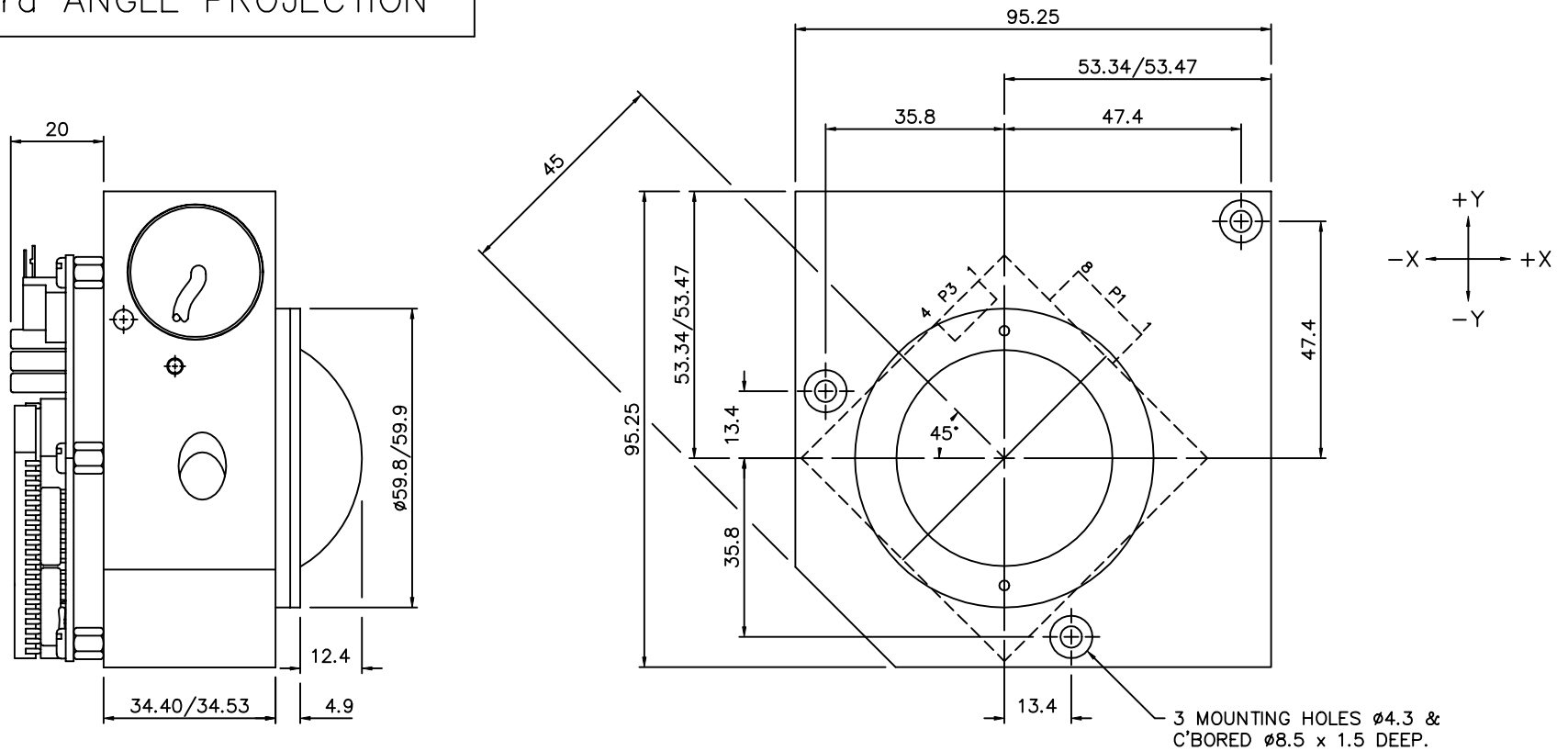
DRAWING NUMBER
DS48980

3rd ANGLE PROJECTION

USED ON

D or
CAT.No

M.A./S.A.




SPECIFICATION

BALL ———— ø2.0" PHENOLIC, COLOUR: YELLOW.
 BODY ———— ALUMINUM ALLOY (HE30 WP),
 CHROMIC ANODISE.
 TOP RING ———— REMOVABLE P.T.F.E BALL SEAL/
 RESTRAINING RING.
 CONNECTOR ———— P1: 8 WAY, 2.5 PITCH, SQ PIN, 90°
 HEADER (MOLEX 5046 SERIES).
 P3: 4 WAY LOW PROFILE, 2.5 PITCH
 HEADER (MOLEX 5483 SERIES).
 RESOLUTION ———— 800 EDGES PER BALL REV.
 SUPPLY ———— +5V D.C ±5% @ 30mA MAX.
 OUTPUT ———— PS2 AUXILIARY INPUT COMPATIBLE.

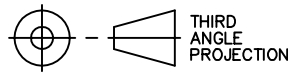
CONNECTION DETAILS

| PIN | DESCRIPTION |
|-----|-------------------|
| | P1 P3 |
| 1 | 0V GND 0V GND |
| 2 | +5V MIDDLE SWITCH |
| 3 | DATA RIGHT SWITCH |
| 4 | CLOCK LEFT SWITCH |
| 5 | N/C — |
| 6 | N/C — |
| 7 | N/C — |
| 8 | N/C — |

| | | | | | | | | | | | | | |
|-----------|---|--------|------|-------|--|---------|--|--|------|----------------|--|--|--|
| APP. | MATERIAL | FINISH | TOL. | SCALE | ISSUE | 1 | | | | | | | |
| | - | - | ±0.5 | 1:1 | DATE | 22.1.98 | | | | | | | |
| CHKD. | | | | DIMNS | CHANGE | NEW DWG | | | | | | | |
| DRAWN |  Penny & Giles Computer Products LTD Christchurch Dorset. Tel (01202) 481751 | | | | TITLE | | | | SIZE | DRAWING NUMBER | | | |
| R.HARNETT | | | | | 2" PANEL MOUNTED TRACKERBALL TBPB/50/P1/PS2 | | | | A3 | DS48980 | | | |

DRAWING NUMBER
DS48995

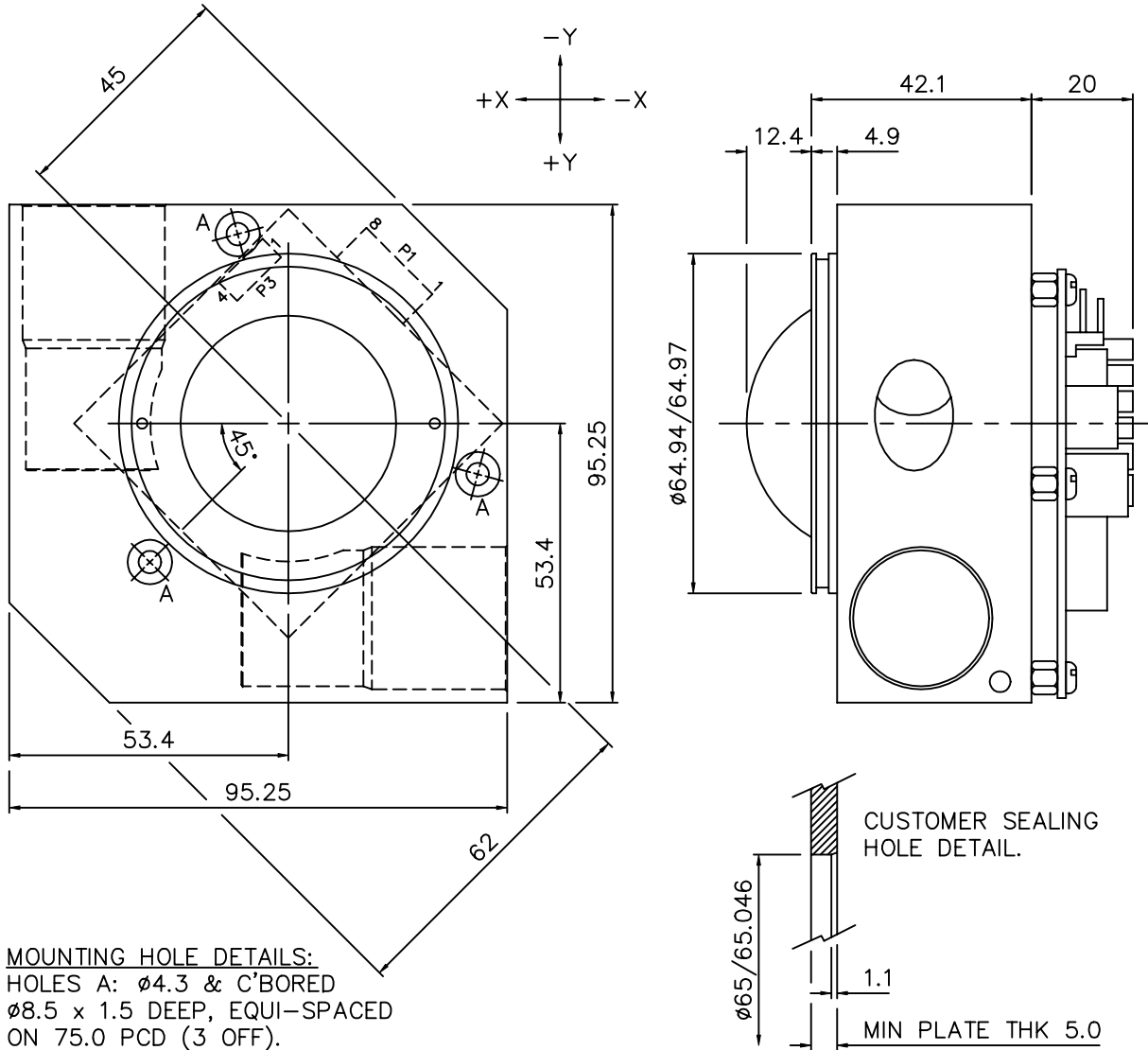
DATA SHEET



USED ON

D or
CAT.No

M.A./S.A.



MOUNTING HOLE DETAILS:
HOLES A: $\phi 4.3$ & C'BORED
 $\phi 8.5 \times 1.5$ DEEP, EQUI-SPACED
ON 75.0 PCD (3 OFF).

SPECIFICATION


BALL ~ $\phi 2.0$ ", COLOUR: YELLOW.
CHASSIS ~ ANODISED BLACK, HE30 ALUMINUM ALLOY.
RESOLUTION ~ 800 EDGES/BALL REV.
CONNECTOR ~ P1: 8 WAY SQ PIN, 2.5MM PITCH, 90° HEADER, (MOLEX 5046 SERIES).
P3: 4 WAY LOW PROFILE 2.5MM PITCH HEADER, (MOLEX 5483 SERIES).

SUPPLY:

VOLTAGE ~ +5V D.C $\pm 5\%$.
CURRENT ~ 30mA MAX.
OUTPUT ~ PS2 AUXILIARY INPUT COMPATIBLE.

CONNECTION DETAILS

| PIN | DESCRIPTION | |
|-----|-------------|---------------|
| | P1 | P3 |
| 1 | 0V GND | 0V GND |
| 2 | +5V | MIDDLE SWITCH |
| 3 | DATA | RIGHT SWITCH |
| 4 | CLOCK | LEFT SWITCH |
| 5 | N/C | - |
| 6 | N/C | - |
| 7 | N/C | - |
| 8 | N/C | - |

| | | | | | | | | | | | | |
|--------|--|-----------|-----------|-------|--|---------|---------|--|------|----------------|--|--|
| APP. | MATERIAL | FINISH | TOL. | SCALE | ISSUE | 1 | 2 | | | | | |
| | SEE NOTES | SEE NOTES | ± 0.5 | 1:1 | DATE | 5.11.97 | 11.3.98 | | | | | |
| CHKD. | | | | DIMNS | CHANGE | NEW DWG | ECN0677 | | | | | |
| | | | | | | | | | SIZE | DRAWING NUMBER | | |
| DRAWN |  <p>Traxsys - An Esterline Company Ringwood, Hampshire. BH24 1EU. Tel: +44 (0) 1425 463100 Fax: +44 (0) 1425 463111 www.traxsys.com</p> | | | | TITLE | | | | A3 | DS48995 | | |
| R.J.H. | | | | | WATERPROOF 2" PANEL MTD SERIAL TRACKERBALL (TBPC/50) | | | | | | | |