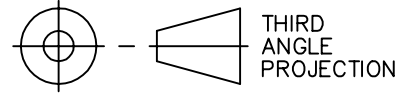


DRAWING NUMBER
DS48990

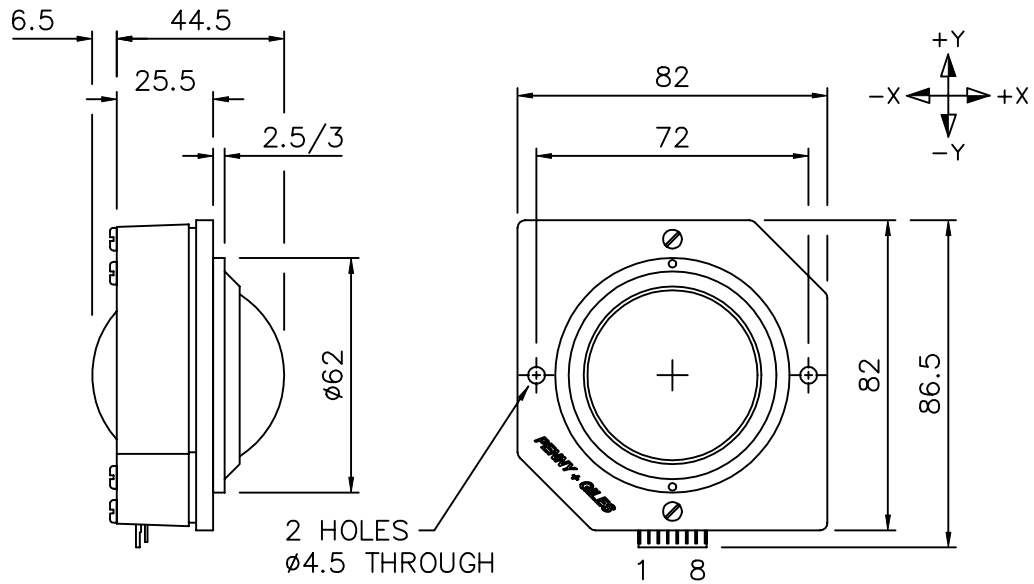
DATA SHEET



USED ON

D or
CAT No

M.A/S.A



SPECIFICATION

- BODY ~ MOULDED RIDGED PLASTIC BODY, COLOUR: BLACK.
- TOP RING ~ A.B.S. BALL RETAINING RING (REMOVABLE).
- BALL ~ $\phi 2.0$ ", COLOUR: YELLOW.
- RESOLUTION ~ 960 EDGES PER BALL REVOLUTION.
- CONNECTOR ~ 8 WAY HEADER, SQUARE PIN, 2.5 PITCH.
- SUPPLY ~ +5V D.C $\pm 5\%$ @ 50mA MAX.
- OUTPUT ~ TTL QUADRATURE.

CONNECTION DETAILS

PIN	DESCRIPTION
1	N/C
2	X CHANNEL A
3	X CHANNEL B
4	N/C
5	Y CHANNEL A
6	Y CHANNEL B
7	+5V
8	0V GROUND

ISSUE	1	1A	2	2A	3	
DATE	10.11.97	23.2.98	24.9.98	27.01.04	16.11.04	
CHANGE	NEW DWG	ECN0700	ECN0739	ECN1061	ECN1152	
MATERIAL	FINISH		TOL.		SCALE	
-	-		± 0.5		-	
APP	DIMS mm					



Esterline Corporation.
Ringwood, Hampshire. BH24 1EU.
Tel: +44 (0) 1425 463100
Fax: +44 (0) 1425 463111
www.traxsys.com

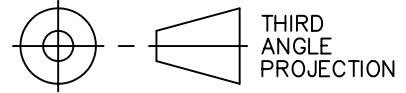
DRAWN
R.HARNETT

TITLE 2" TRACKERBALL PANEL
MOUNTED (TBPJ/50/UQ/QUD)

SIZE DRAWING NUMBER
A4 DS48990

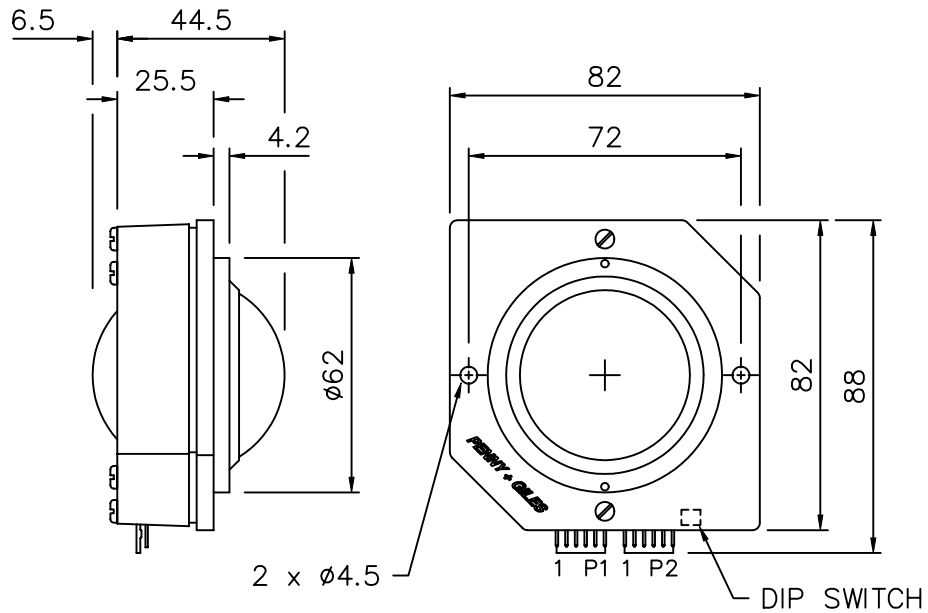
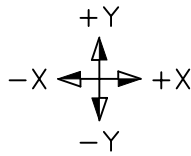
DRAWING NUMBER
DS48998

DATA SHEET



USED ON

DEFAULT ORIENTATION
DIL SETTING 00



ALTERNATIVE AXIS OPTIONS	
	<input type="checkbox"/> 1 <input type="checkbox"/> 0
	<input type="checkbox"/> 1 <input type="checkbox"/> 0
	<input type="checkbox"/> 1 <input type="checkbox"/> 0

D or
CAT No

M.A/S.A

SPECIFICATION

- BODY ~ MOULDED RIDGED PLASTIC BODY, COLOUR: BLACK.
- BALL SEAL ~ RUBBER BALL SEAL/RESTRAINING RING (REMOVABLE).
- BALL ~ Ø2.0", COLOUR: YELLOW.
- RESOLUTION ~ 960 EDGES PER BALL REVOLUTION.
- CONNECTOR ~ 6 PIN, 90° HEADER, 2.5 PITCH, MOLEX 5046 SERIES.
- SUPPLY ~ +5V D.C ±5% @ 50mA MAX.
- OUTPUT ~ UNIT WILL AUTODETECT TO EITHER PS2 OR USB DEPENDENT ON HOST.

CONNECTION DETAILS

SWITCH INPUT (P1):

PIN	DESCRIPTION
1	0V GND
2	LEFT SWITCH
3	0V GND
4	RIGHT SWITCH
5	0V GND
6	MIDDLE SWITCH

SERIAL OUTPUT (P2):

PIN	DESCRIPTION
1	- DATA/DATA (USB/PS2)
2	+ DATA/CLOCK (USB/PS2)
3	EARTH GROUND
4	+5V
5	SIGNAL GROUND
6	EARTH GROUND

ISSUE	2	2D	3	4	4A	5	6	6A
DATE	29.9.98	14.6.01	15.4.02	22.11.02	27.1.04	8.7.04	6.2.06	22.6.06
CHANGE	ECN0739	ECN0932	ECN0992	ECN1004	ECN1061	ECN1152	ECN1355	ECN1357
MATERIAL	-		FINISH		TOL.		SCALE -	
					±0.5		DIMS mm	

APP

CHKD



Esterline Corporation.
Ringwood, Hampshire. BH24 1EU.
Tel: +44 (0) 1425 463100
Fax: +44 (0) 1425 463111
www.traxsys.com

DRAWN
R.HARNETT

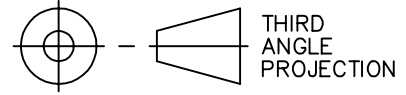
TITLE
2" PANEL MOUNTED
TRACKERBALL (TBPJ/50/P1/PS2)

SIZE
A4

DRAWING NUMBER
DS48998

DRAWING NUMBER
DS48991

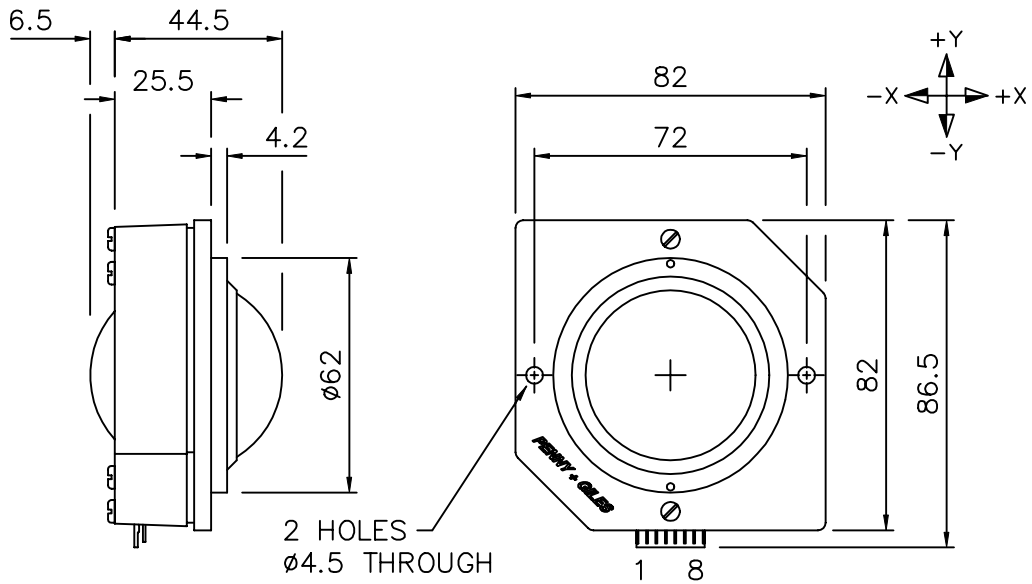
DATA SHEET



USED ON

D or
CAT No

M.A/S.A



SPECIFICATION

- BALL ~ $\phi 2.0$ " (50.8mm) PHENOLIC, COLOUR YELLOW.
- BALL SEAL ~ RUBBER BALL SEAL/RESTRAINING RING (REMOVABLE).
- ENCLOSURE ~ MOULDED ABS CHASSIS, BLACK.
- RESOLUTION ~ 960 EDGES PER BALL REVOLUTION.
- CONNECTOR ~ 8 PIN, 90° HEADER, 2.5 PITCH, MOLEX 5046 SERIES.
- SUPPLY ~ +5V D.C $\pm 5\%$ @ 50mA MAX.
- OUTPUT ~ TTL QUADRATURE.

CONNECTION DETAILS

PIN	DESCRIPTION
1	N/C
2	X CHANNEL A
3	X CHANNEL B
4	N/C
5	Y CHANNEL A
6	Y CHANNEL B
7	+5V
8	0V GROUND

ISSUE	1	1A	2	2D	3	3A	4	5
DATE	10.11.97	23.2.98	24.9.98	14.6.01	13.12.02	27.01.04	16.11.04	6.2.06
CHANGE	NEW DWG	ECN0700	ECN0739	ECN0932	ECN0908	ECN1061	ECN1152	ECN1355
MATERIAL	-		FINISH			TOL.		SCALE
	-		-			± 0.5		-
								DIMS mm

APP

CHKD



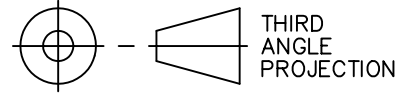
Esterline Corporation.
Ringwood, Hampshire. BH24 1EU.
Tel: +44 (0) 1425 463100
Fax: +44 (0) 1425 463111
www.traxsys.com

DRAWN TITLE 2" TRACKERBALL PANEL MOUNTED (TBPJ/50/PQ/QUD)
R.HARNETT

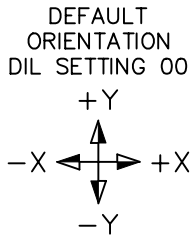
SIZE DRAWING NUMBER
A4 DS48991

DRAWING NUMBER
DS48977

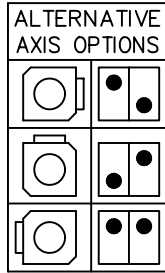
DATA SHEET



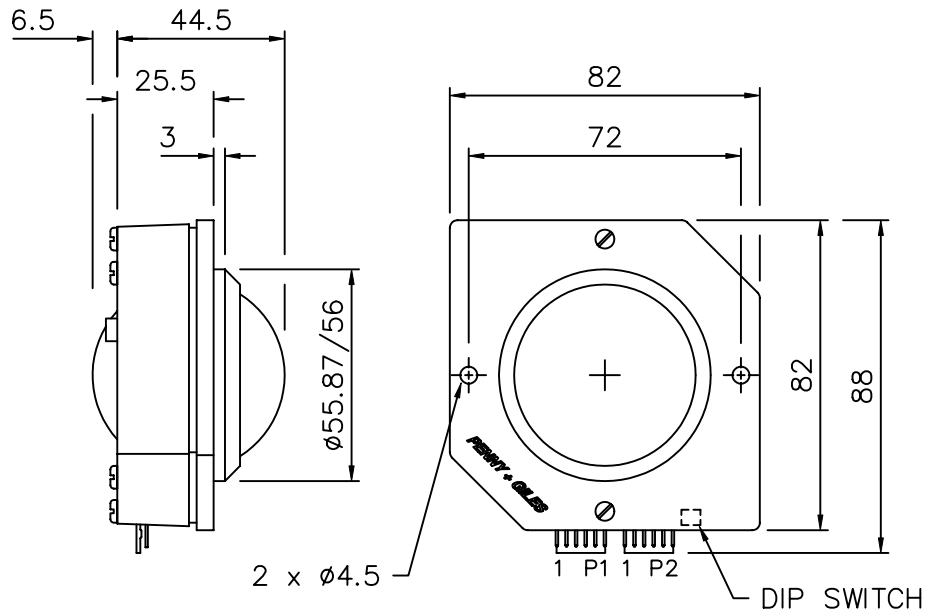
USED ON
X1166



D or
CAT No



M.A/S.A



SPECIFICATION

- BODY ~ MOULDED RIDGED PLASTIC BODY, COLOUR: BLACK.
- BALL ~ Ø2.0", COLOUR: YELLOW.
- RESOLUTION ~ 960 EDGES PER BALL REVOLUTION.
- CONNECTOR ~ 6 PIN 90° HEADER, 2.5 PITCH, MOLEX 5046 SERIES.
- SUPPLY ~ +5V D.C ±5% @ 50mA MAX.
- OUTPUT ~ UNIT WILL AUTODETECT TO EITHER PS2 OR USB DEPENDENT ON HOST.

CONNECTION DETAILS

P1:		P2:	
PIN	DESCRIPTION		DESCRIPTION
1	0V GND	-	DATA/DATA (USB/PS2)
2	LEFT SWITCH	+	DATA/CLOCK (USB/PS2)
3	0V GND		EARTH GROUND
4	RIGHT SWITCH		+5V
5	0V GND		SIGNAL GROUND
6	MIDDLE SWITCH		EARTH GROUND

ISSUE	2	3	4	4A	5	5A
DATE	29.9.98	15.4.02	12.11.02	27.01.04	27.10.04	22.6.06
CHANGE	ECN0739	ECN0992	ECN1004	ECN1061	ECN1152	ECN1357
MATERIAL	FINISH		TOL.		SCALE	
-	-				-	
						DIMS mm

APP

CHKD



Esterline Corporation.
Ringwood, Hampshire. BH24 1EU.
Tel: +44 (0) 1425 463100
Fax: +44 (0) 1425 463111
www.traxsys.com

DRAWN
R.HARNETT

TITLE
2" PANEL MOUNTED
TRACKERBALL (TBPD/50/UP2)

SIZE
A4

DRAWING NUMBER
DS48977