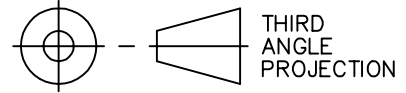


DRAWING NUMBER  
DS49083

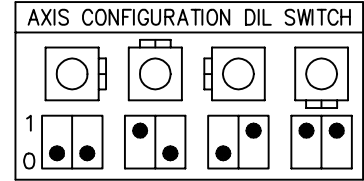
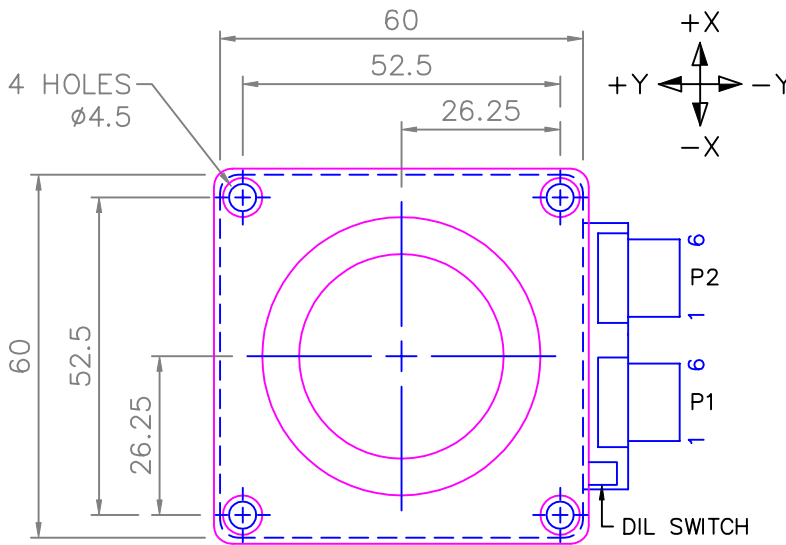
# DATA SHEET



USED ON  
X1237

D or  
CAT No

M.A/S.A



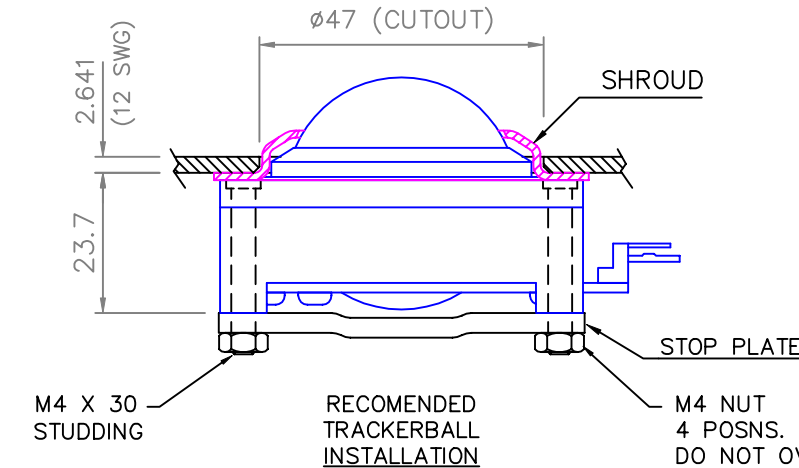
DEFAULT POS: - 00

**CONNECTOR P1 DETAILS**

PIN	DESCRIPTION
1	0V GND
2	LEFT SWITCH
3	0V GND
4	RIGHT SWITCH
5	0V GND
6	MIDDLE SWITCH

**CONNECTOR P2 DETAILS**

PIN	DESCRIPTION
1	- DATA/ (USB) DATA (PS2)
2	+ DATA/ (USB) CLOCK (PS2)
3	EARTH GROUND
4	+5V
5	SIGNAL GROUND
6	EARTH GROUND



**SPECIFICATION**

- BALL ~  $\phi 1.5$ " (38mm) STAINLESS STEEL BALL (POLISHED).
- SEALING ~ RUBBER LIP SEAL/TOP PLATE.
- RESOLUTION ~ 800 EDGES PER BALL REVOLUTION.
- CONNECTOR ~ 6 PIN, 90° HEADER, 2.5 PITCH, MOLEX 5046 SERIES.
- SUPPLY ~ +5V D.C.  $\pm 5\%$  @ 50mA MAX.
- OUTPUT ~ AUTODETECTS TO EITHER PS/2 OR USB DEPENDENT ON HOST.
- IMPACT ~ 10 JOULES
- ACCESSORIES ~ 1.2MM STAINLESS STEEL SHROUD.  
10SWG STAINLESS STEEL STOP PLATE.  
 $\phi 57 \times \phi 50.5 \times 1.5$  NEOPRENE SPONGE GASKET.  
M4 STAINLESS STEEL NUTS (4 OFF).

ISSUE	6	7	8	8B	8C	9		
DATE	2.5.02	28.11.02	23.4.03	21.9.04	18.1.05	21.1.05		
CHANGE	ECN1004	ECN1018	ECN0908	ECN1214	ECN1218	ECN1212		

MATERIAL	FINISH	TOL.	SCALE
-	-	$\pm 0.5$	NTS
			DIMS mm

APP

CHKD



Esterline Corporation.  
Ringwood, Hampshire. BH24 1EU.  
Tel: +44 (0) 1425 463100  
Fax: +44 (0) 1425 463111  
www.traxsys.com

DRAWN  
PRJM

TITLE  $\phi 1.5$ " PANEL MOUNTED  
ANTI-VANDAL TRACKERBALL

SIZE A4 DRAWING NUMBER DS49083