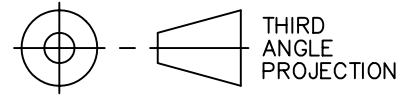


DRAWING NUMBER
DS509257

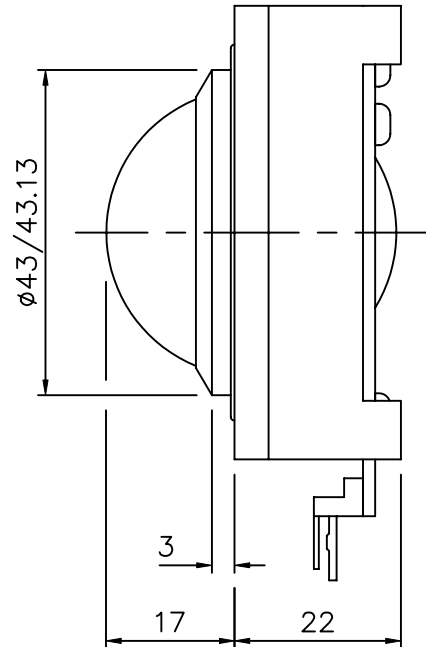
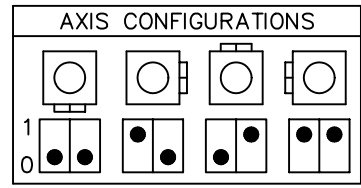
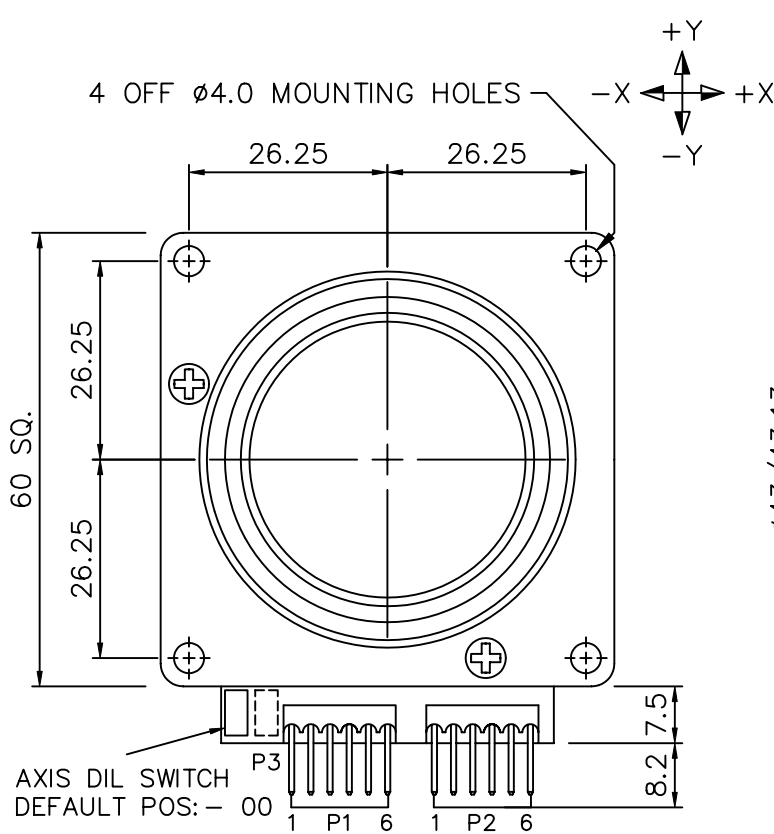
DATA SHEET



USED ON
X1478

D or
CAT No

M.A/S.A



SPECIFICATION

- BALL ~ $\phi 1.5''$, TRANSLUCENT, WITH RED BACK LIGHTING.
- SEALING ~ RUBBER BALL SEAL/RESTRAINING RING.
- RESOLUTION ~ 800 EDGES PER BALL REVOLUTION.
- CONNECTOR ~ 6 PIN, 90° HEADER, 2.5 PITCH, MOLEX 5046 SERIES.
- SUPPLY ~ +5V D.C. $\pm 5\%$ @ 100mA MAX.
- OUTPUT ~ AUTODETECTS TO PS/2 OR USB DEPENDENT ON HOST.

CONNECTION DETAILS

SWITCH INPUT (P1):		UNIVERSAL OUTPUT (P2):	BACKLIGHT POWER (P3):
PIN	DESCRIPTION	DESCRIPTION	NOT FITTED AS STANDARD, POWERED FROM SERIAL PORT. CONTACT SALES FOR OPTIONS.
1	0V GND	- DATA/DATA (USB/PS2)	
2	LEFT SWITCH	+ DATA/CLOCK (USB/PS2)	
3	0V GND	EARTH GROUND	
4	RIGHT SWITCH	+5V	
5	0V GND	SIGNAL GROUND	
6	MIDDLE SWITCH	EARTH GROUND	

ISSUE	A	B	1						
DATE	6.8.02	29.9.03	11.10.05						
CHANGE	NEW DWG	-	PROD.						

MATERIAL	FINISH		TOL.	SCALE 1:1
-	-		± 0.15	DIMS mm

APP

CHKD



Esterline Corporation.
Ringwood, Hampshire. BH24 1EU.
Tel: +44 (0) 1425 463100
Fax: +44 (0) 1425 463111
www.traxsys.com

DRAWN
R.HARNETT

TITLE
 *$\phi 1.5''$ PANEL MOUNTED
ILLUMINATED TRACKERBALL*

SIZE DRAWING NUMBER
A4 DS509257