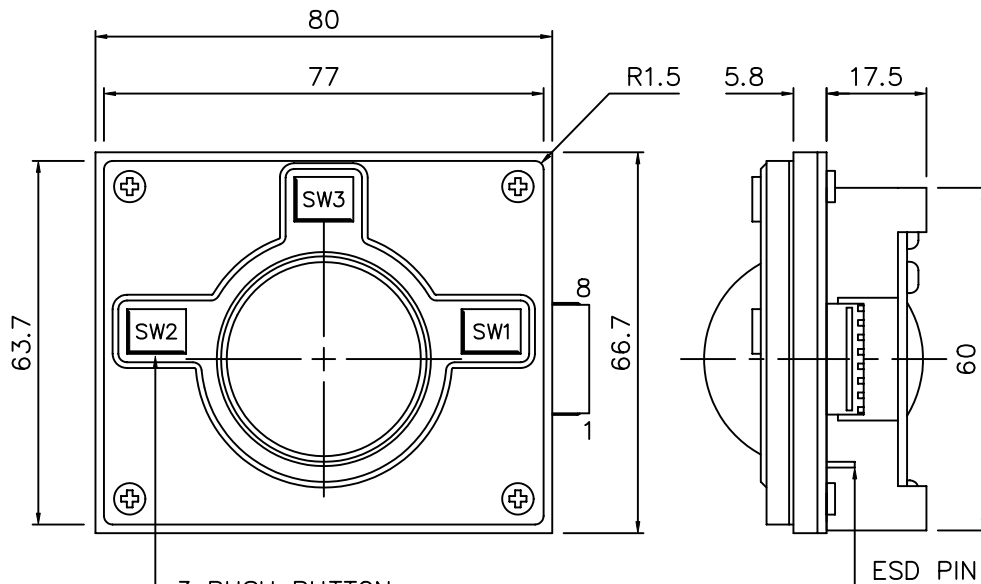


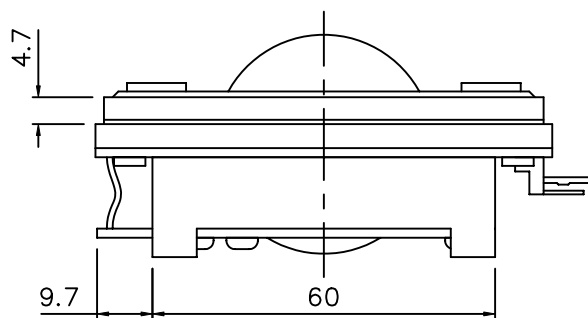
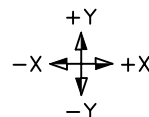
USED ON PROJECT
No. 1137

D or
CAT.No

M.A./S.A.



3 PUSH BUTTON
MOMENTARY ACTION SWITCHES.
SWITCH LOW TO 0V GND.




SPECIFICATION

BALL ~ $\phi 1.5$ " COLOUR: BLACK.
TOP PLATE ~ A.B.S, COLOUR: DARK GREY.
TOP RING ~ P.T.F.E. BALL SEAL/RESTRAINING RING.
RESOLUTION ~ 800 EDGES/REVOLUTION.
CONNECTOR ~ 8 WAY STD MOLEX 90° HEADER, 5046 SERIES.
SUPPLY ~ +5V D.C $\pm 5\%$ @ 50mA MAX.
OUTPUT ~ UNIT WILL AUTODETECT TO EITHER PS2
OR USB DEPENDENT ON HOST.

CONNECTION DETAILS

PIN	DESCRIPTION
1	N/C
2	N/C
3	N/C
4	N/C
5	+ DATA/CLOCK (USB/PS2)
6	- DATA/DATA (USB/PS2)
7	+5V D.C
8	0V GND

APP. <i>[Signature]</i>	MATERIAL -	FINISH -	TOL. ± 0.5	SCALE 1:1	ISSUE	1	2	3	3C	4	4A		
CHKD. <i>[Signature]</i>				DIMNS MM	DATE	25.2.97	2.9.97	11.2.98	20.8.03	1.12.04	22.6.06		
DRAWN R.HARNETT	 <p>Esterline Corporation. Ringwood, Hampshire. BH24 1EU. Tel: +44 (0) 1425 463100 Fax: +44 (0) 1425 463111 www.traxsys.com</p>				TITLE	NEW DWG			ECN0648	ECN0692	ECN1086	ECN1212	ECN1357
					PANEL MOUNTED PROTECTED MINIATURE TRACKERBALL WITH 3 INTEGRAL SWITCHES			SIZE A3	DRAWING NUMBER DS48870				