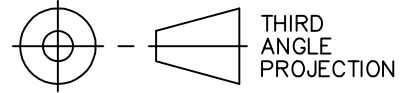


DRAWING NUMBER
DS48891

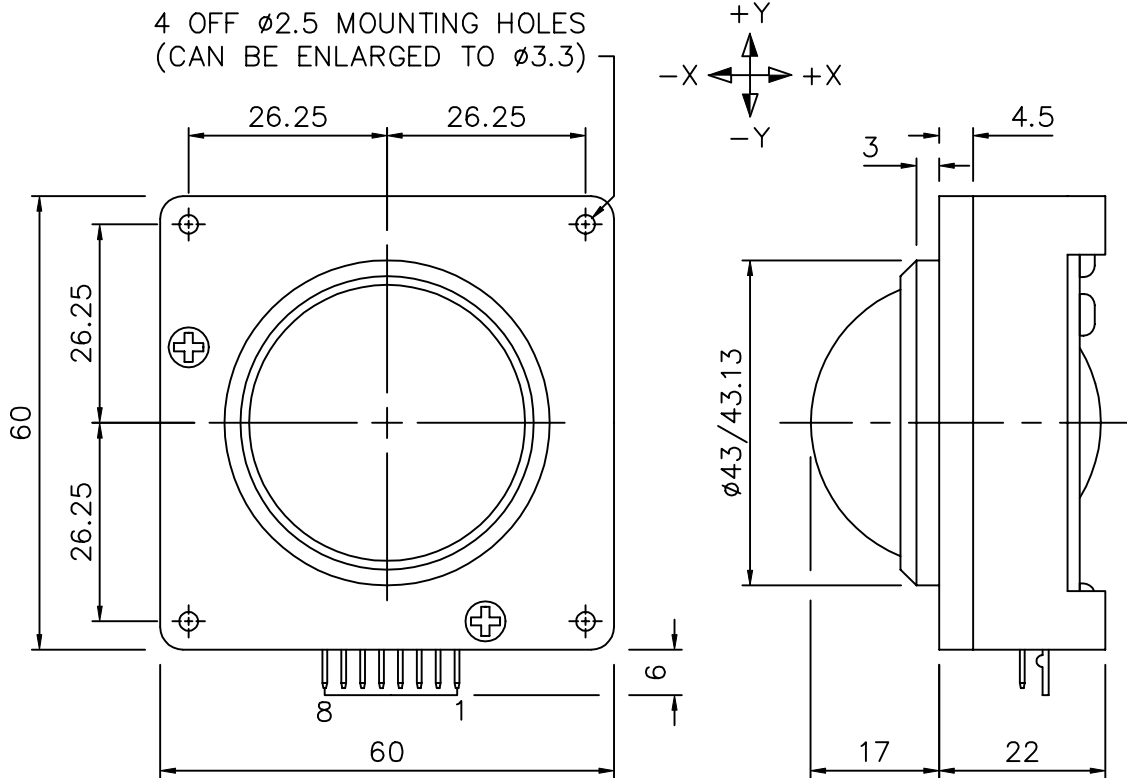
DATA SHEET



USED ON
X1139

D or
CAT No

M.A./S.A



SPECIFICATION

BALL ~ $\phi 1.5$ " COLOUR BLACK.
 RESOLUTION ~ 800 EDGES PER BALL REVOLUTION.
 CONNECTOR ~ 8 WAY MALE, SQUARE PIN, 2.5 PITCH
 SUPPLY ~ +5V D.C. $\pm 5\%$ @ 50mA MAX.
 OUTPUT ~ TTL QUADRATURE.

CONNECTION DETAILS

PIN	DESCRIPTION
1	0V GROUND
2	+5V
3	Y CHANNEL B
4	Y CHANNEL A
5	N/C
6	X CHANNEL B
7	X CHANNEL A
8	N/C

ISSUE	A	1	1A	1E	2	
DATE	29.3.96	1.5.96	4.10.96	23.3.01	1.12.04	
CHANGE	-	CH571	RTC0572	ECN0900	ECN1212	
MATERIAL	FINISH		TOL.		SCALE 1:1	
APP	-		-		DIMS mm	



Esterline Corporation.
 Ringwood, Hampshire. BH24 1EU.
 Tel: +44 (0) 1425 463100
 Fax: +44 (0) 1425 463111
 www.traxsys.com

DRAWN
J.S.O.

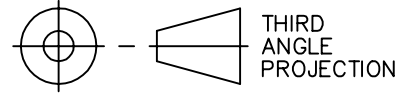
TITLE
MINIATURE TRACKERBALL
(TBPDP/38/UQ/QUD)

SIZE
A4

DRAWING NUMBER
DS48891

DRAWING NUMBER
DS48878

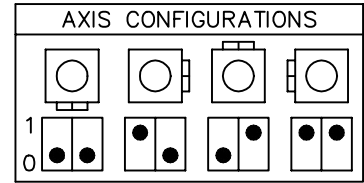
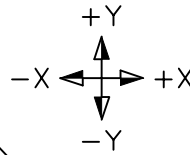
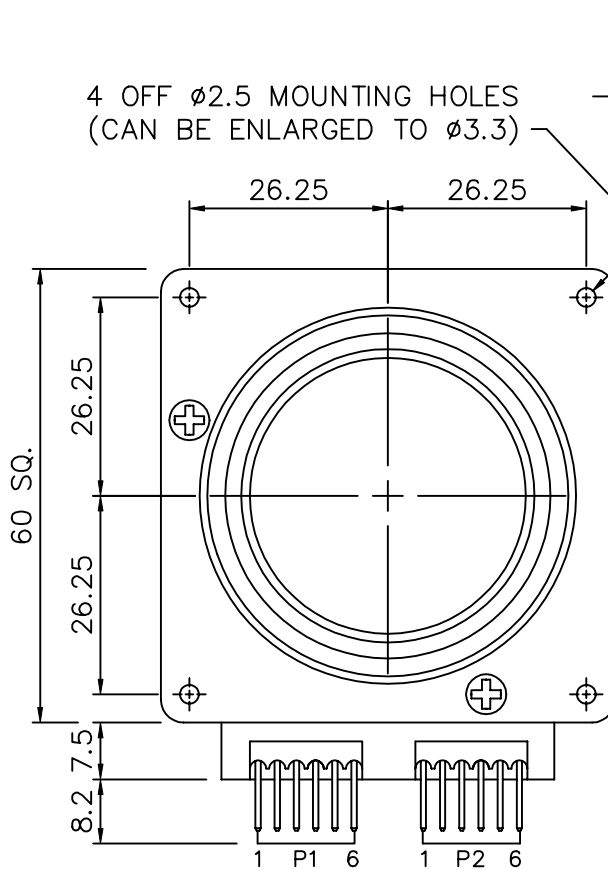
DATA SHEET



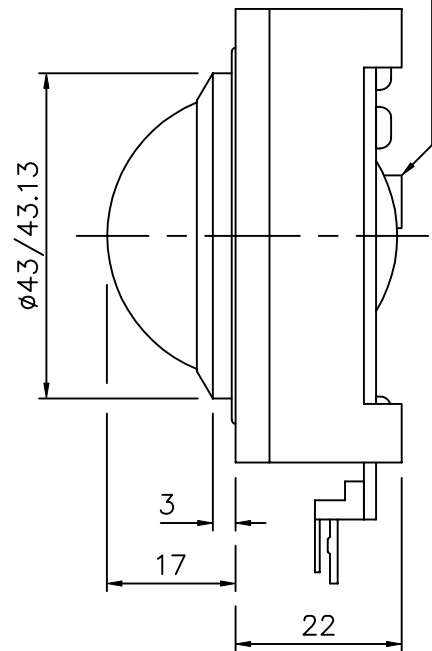
USED ON
X1147

D or
CAT No

M.A/S.A



AXIS DIL SWITCH
DEFAULT POS: - 00



SPECIFICATION

- BALL ~ $\phi 1.5$ " (38mm) PHENOLIC, COLOUR BLACK.
- SEALING ~ RUBBER LIP SEAL/TOP PLATE.
- ENCLOSURE ~ MOULDED ABS CHASSIS, BLACK.
- RESOLUTION ~ 800 EDGES PER BALL REVOLUTION.
- CONNECTOR ~ 6 PIN, 90° HEADER, 2.5 PITCH, MOLEX 5046 SERIES.
- SUPPLY ~ +5V D.C. $\pm 5\%$ @ 50mA MAX.
- OUTPUT ~ AUTODETECTS TO PS/2 OR USB DEPENDENT ON HOST.

CONNECTION DETAILS

SWITCH INPUT (P1):

PIN	DESCRIPTION
1	0V GND
2	LEFT SWITCH
3	0V GND
4	RIGHT SWITCH
5	0V GND
6	MIDDLE SWITCH

UNIVERSAL OUTPUT (P2):

PIN	DESCRIPTION
1	D-/DATA (USB/PS2)
2	D+/CLOCK (USB/PS2)
3	EARTH GROUND
4	+5V
5	SIGNAL GROUND
6	EARTH GROUND

ISSUE	1	1E	2	3	4			
DATE	15.11.96	23.3.01	2.5.02	27.11.02	23.4.03			
CHANGE	NEW DWG	ECN0900	ECN1004	ECN1018	ECN0908			

MATERIAL	FINISH	TOL.	SCALE 1:1
-	-		DIMS mm

APP

CHKD



Traxsys - An Esterline Company
Ringwood, Hampshire. BH24 1EU.
Tel: +44 (0) 1425 463100
Fax: +44 (0) 1425 463111
www.traxsys.com

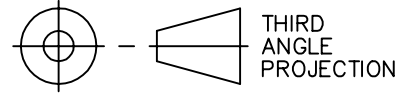
DRAWN
R.HARNETT

TITLE
 *$\phi 1.5$ " PANEL MOUNTED
MINIATURE TRACKERBALL*

SIZE DRAWING NUMBER
A4 DS48878

DRAWING NUMBER
DS48888

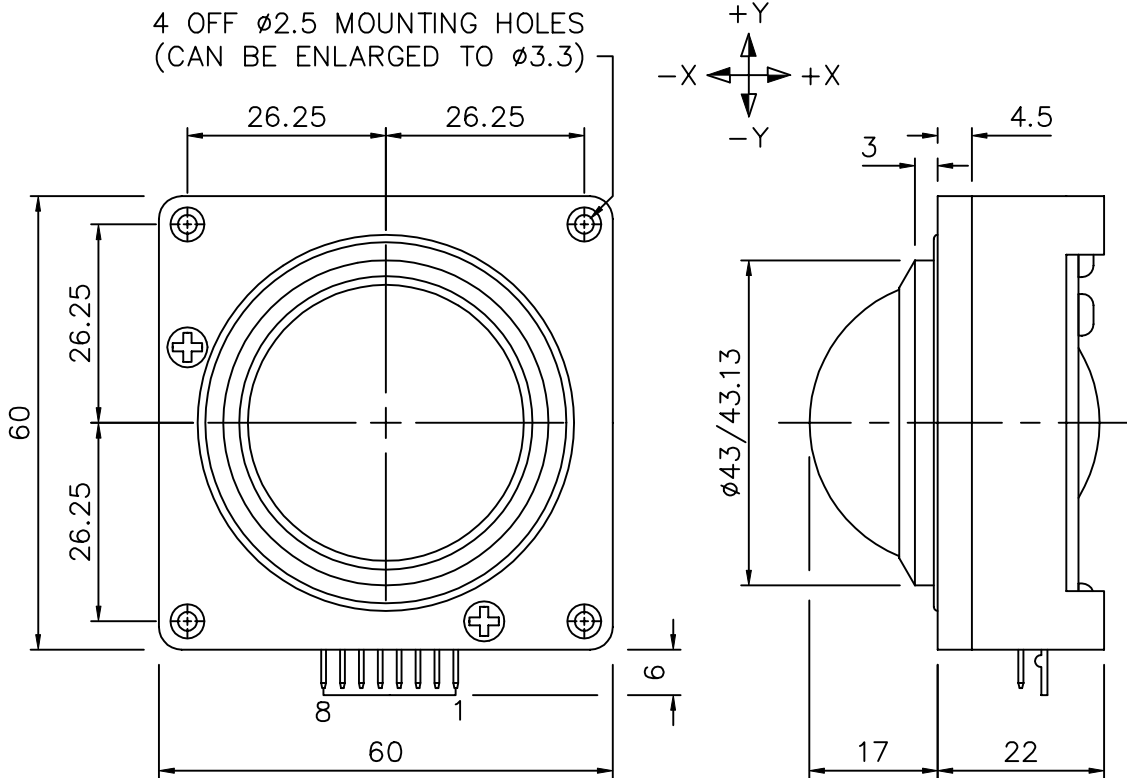
DATA SHEET



USED ON
X1139

D or
CAT No

M.A/S.A



SPECIFICATION

BALL ~ $\phi 1.5$ " (38mm) PHENOLIC, COLOUR BLACK.
 SEALING ~ RUBBER LIP SEAL/TOP PLATE. FIT SHIM UNDER LIP SEAL TO REDUCE TORQUE (SEALING PERFORMANCE MAY ALSO DECLINE).
 RESOLUTION ~ 800 EDGES PER BALL REVOLUTION.
 CONNECTOR ~ 8 PIN, 90° HEADER, 2.5 PITCH, MOLEX 5046 SERIES.
 SUPPLY ~ +5V D.C. $\pm 5\%$ @ 50mA MAX.
 OUTPUT ~ TTL QUADRATURE.

CONNECTION DETAILS

PIN	DESCRIPTION
1	0V GROUND
2	+5V
3	Y CHANNEL B
4	Y CHANNEL A
5	N/C
6	X CHANNEL B
7	X CHANNEL A
8	N/C

ISSUE	1	1A	1E	2	2A	3		
DATE	2.5.96	4.10.96	23.3.01	24.4.03	22.12.04	7.1.05		
CHANGE	CH572	ECN572	ECN900	ECN908	ECN1218	ECN1212		

MATERIAL	FINISH	TOL.	SCALE 1:1
-	-		DIMS mm

APP

CHKD



Esterline Corporation.
 Ringwood, Hampshire. BH24 1EU.
 Tel: +44 (0) 1425 463100
 Fax: +44 (0) 1425 463111
 www.traxsys.com

DRAWN
R.HARNETT

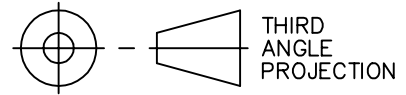
TITLE
PROTECTED MINIATURE
TRACKERBALL (TBPD/38/PQ/QUD)

SIZE
A4

DRAWING NUMBER
DS48888

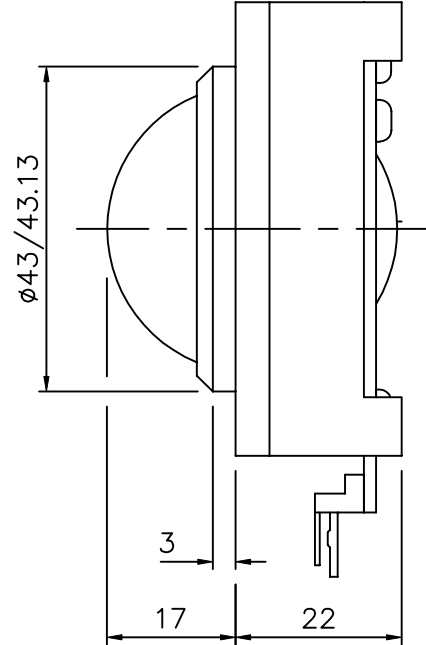
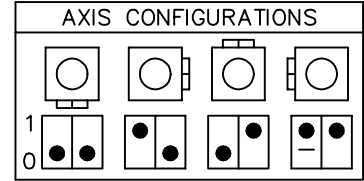
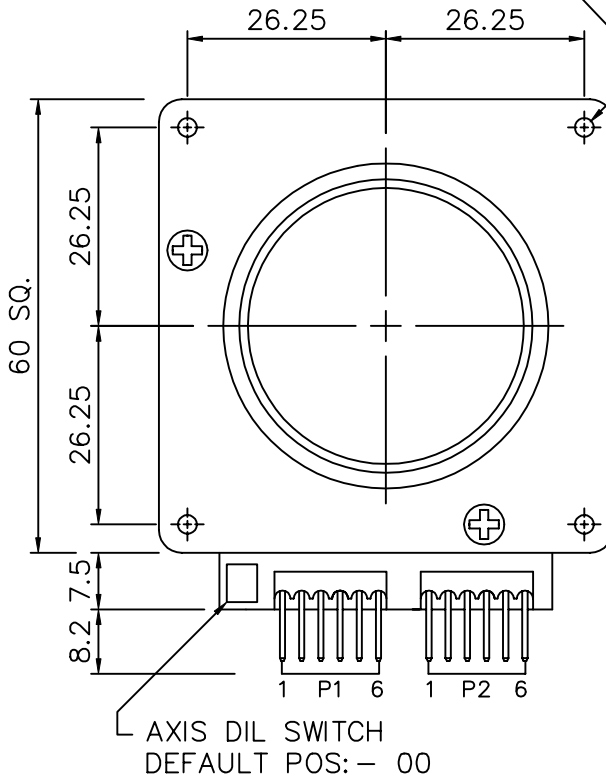
DRAWING NUMBER
DS48877

DATA SHEET



USED ON
X1147

4 OFF $\phi 2.5$ MOUNTING HOLES
(CAN BE ENLARGED TO $\phi 3.3$)



D or
CAT No

M.A/S.A

SPECIFICATION

- BALL ~ $\phi 1.5$ " (38mm) PHENOLIC, COLOUR BLACK.
- ENCLOSURE ~ MOULDED ABS TOP PLATE & CHASSIS, BLACK.
- RESOLUTION ~ 800 EDGES PER BALL REVOLUTION.
- CONNECTOR ~ 6 PIN, 90° HEADER, 2.5 PITCH, MOLEX 5046 SERIES.
- SUPPLY ~ +5V D.C. $\pm 5\%$ @ 50mA MAX.
- OUTPUT ~ AUTODETECTS TO PS/2 OR USB DEPENDENT ON HOST.

CONNECTION DETAILS

SWITCH INPUT (P1):

PIN	DESCRIPTION
1	0V GND
2	LEFT SWITCH
3	0V GND
4	RIGHT SWITCH
5	0V GND
6	MIDDLE SWITCH

UNIVERSAL OUTPUT (P2):

PIN	DESCRIPTION
1	D-/DATA (USB/PS2)
2	D+/CLOCK (USB/PS2)
3	EARTH GROUND
4	+5V
5	SIGNAL GROUND
6	EARTH GROUND

ISSUE	1	1E	2	3	4			
DATE	15.11.96	23.3.01	2.5.02	27.11.02	1.12.04			
CHANGE	NEW DWG	ECN0900	ECN1004	ECN1018	ECN1212			

MATERIAL	FINISH	TOL.	SCALE 1:1
-	-		DIMS mm

APP

CHKD



Esterline Corporation.
Ringwood, Hampshire. BH24 1EU.
Tel: +44 (0) 1425 463100
Fax: +44 (0) 1425 463111
www.traxsys.com

DRAWN
R.HARNETT

TITLE
 $\phi 1.5$ " PANEL MOUNTED
MINIATURE TRACKERBALL

SIZE
A4

DRAWING NUMBER
DS48877