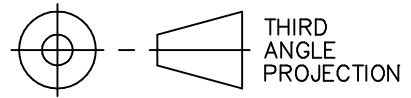


DRAWING NUMBER  
DS48802

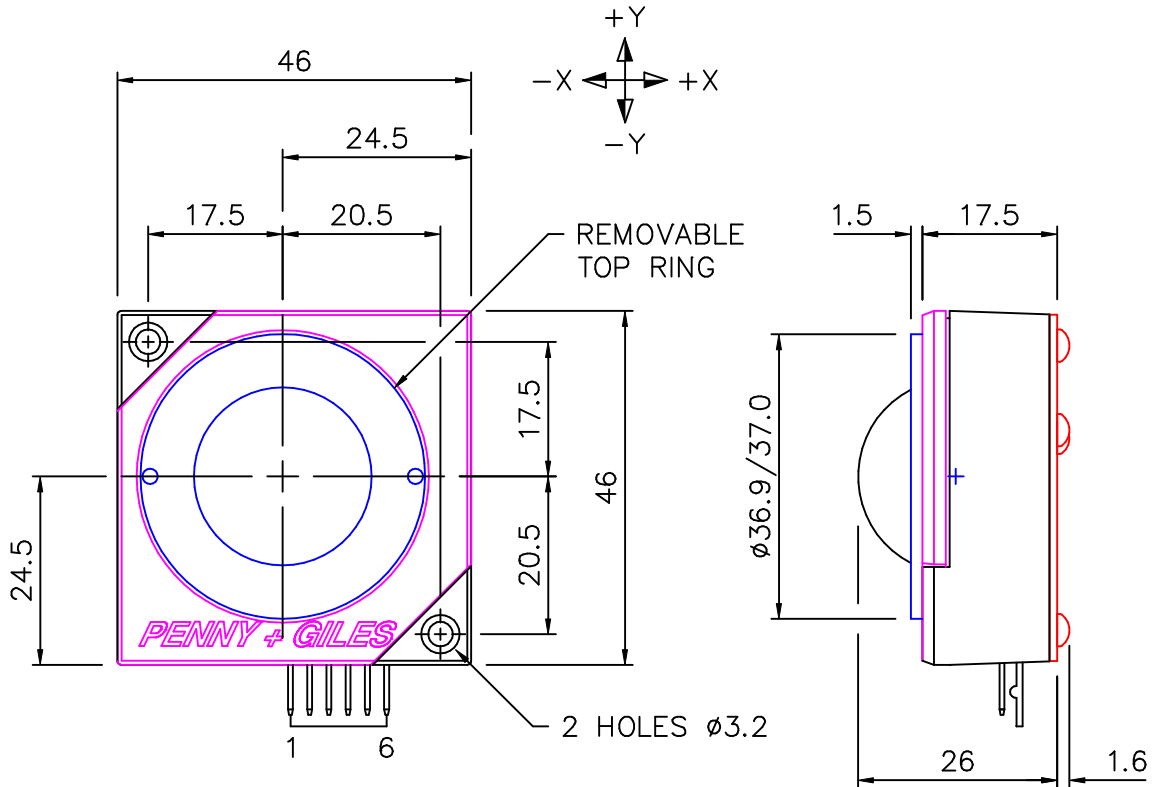
DATA SHEET



USED ON  
X1118

D or  
CAT No

M.A./S.A



SPECIFICATION

- BALL ~  $\phi 1.0$ " COLOUR BLACK.
- RESOLUTION ~ 415 EDGES PER BALL RESOLUTION.
- CONNECTOR ~ 6 WAY MALE, SQUARE PIN, 2.5 PITCH
- SUPPLY ~ +5V D.C.  $\pm 5\%$  @ 50mA max.
- OUTPUT ~ TTL QUADRATURE.

CONNECTION DETAILS

PIN	DESCRIPTION
1	0V GROUND
2	+5V
3	Y CHANNEL B
4	Y CHANNEL A
5	X CHANNEL B
6	X CHANNEL A

ISSUE	1	1A	1C	2			
DATE	6.11.96	20.2.97	14.5.04	06.06.05			
CHANGE	NEW DWG	ECN0587	ECN1161	ECN1256			

MATERIAL	FINISH	TOL.	SCALE
—	—	$\pm 0.25$	1:1
			DIMS mm

APP

CHKD



Esterline Corporation.  
Ringwood, Hampshire. BH24 1EU.  
Tel: +44 (0) 1425 463100  
Fax: +44 (0) 1425 463111  
www.traxsys.com

DRAWN  
R.HARNETT

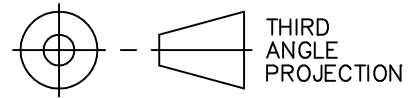
TITLE  
ULTRA MINIATURE TRACKERBALL  
(TB\*\*/25/)

SIZE  
A4

DRAWING NUMBER  
DS48802

DRAWING NUMBER  
DS48920

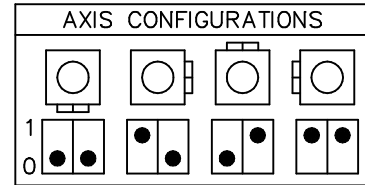
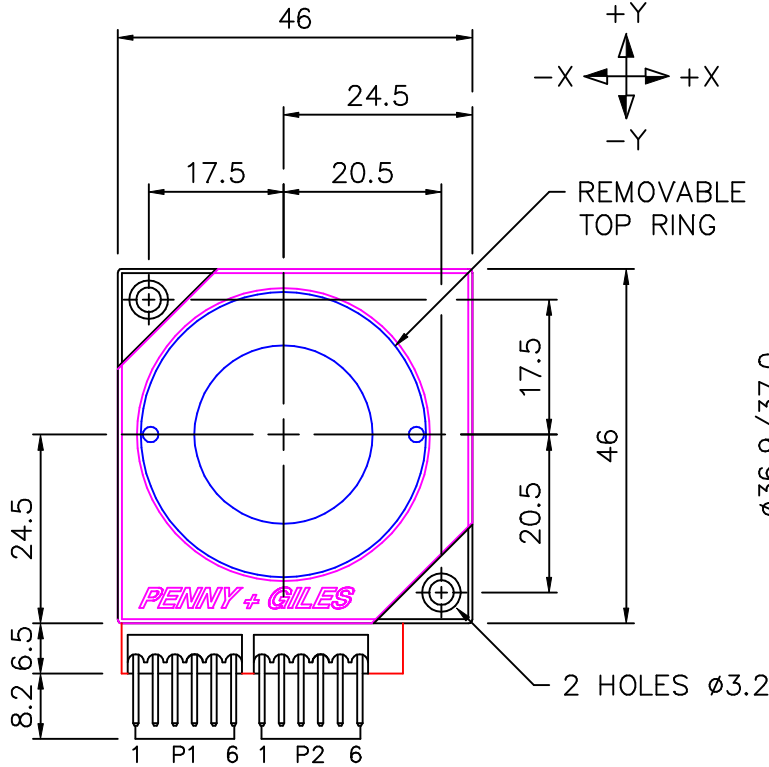
DATA SHEET



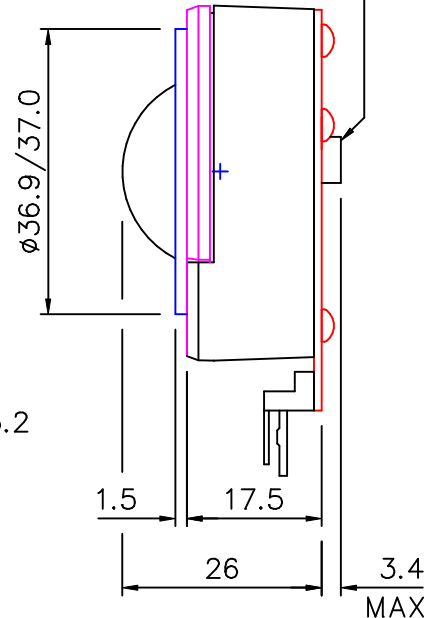
USED ON  
X1146

D or  
CAT No

M.A/S.A



AXIS DIL SWITCH  
DEFAULT POS: - 00



SPECIFICATION

- BALL ~ ø1.0" (25.4mm) PHENOLIC, COLOUR BLACK.
- TOP RING ~ P.T.F.E. BALL SEAL/RESTRAINING RING.
- ENCLOSURE ~ MOULDED ABS TOP PLATE & CHASSIS, BLACK.
- RESOLUTION ~ 415 EDGES PER BALL RESOLUTION.
- CONNECTOR ~ 6 PIN, 90° HEADER, 2.5 PITCH, MOLEX 5046 SERIES.
- SUPPLY ~ +5V D.C. ±5% @ 50mA MAX.
- OUTPUT ~ AUTODETECTS TO PS/2 OR USB DEPENDENT ON HOST.

CONNECTION DETAILS

SWITCH INPUT (P1):

PIN	DESCRIPTION
1	0V GND
2	LEFT SWITCH
3	0V GND
4	RIGHT SWITCH
5	0V GND
6	MIDDLE SWITCH

UNIVERSAL OUTPUT (P2):

PIN	DESCRIPTION
1	D-/DATA (USB/PS2)
2	D+/CLOCK (USB/PS2)
3	EARTH GROUND
4	+5V
5	SIGNAL GROUND
6	EARTH GROUND

ISSUE	1	2	3				
DATE	20.2.97	7.1.03	08.06.05				
CHANGE	NEW DWG	ECN1004	ECN1256				

MATERIAL	FINISH	TOL.	SCALE
-	-	±0.25	1:1
			DIMS mm

APP

CHKD



Esterline Corporation.  
Ringwood, Hampshire. BH24 1EU.  
Tel: +44 (0) 1425 463100  
Fax: +44 (0) 1425 463111  
www.traxsys.com

DRAWN  
R.HARNETT

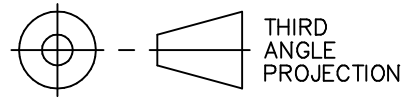
TITLE  
ø1" PANEL MOUNTED  
ULTRA MINIATURE TRACKERBALL

SIZE  
A4

DRAWING NUMBER  
DS48920

DRAWING NUMBER  
DS48860

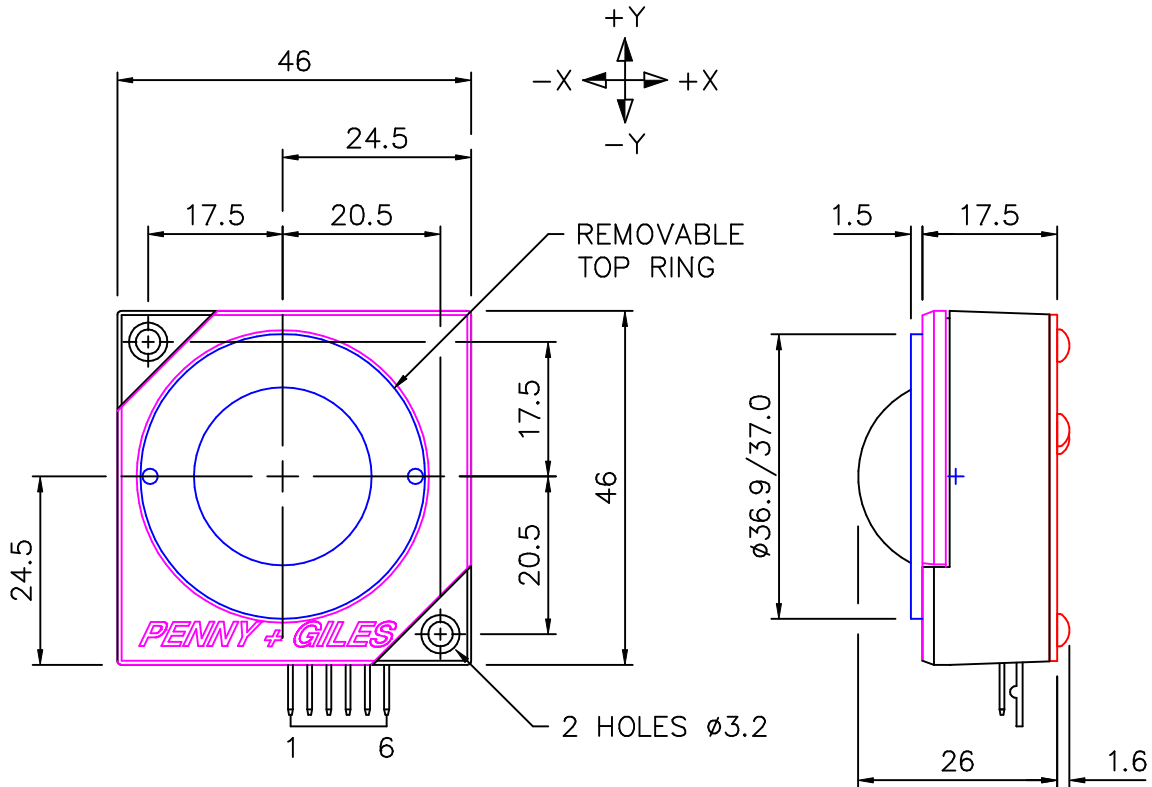
DATA SHEET



USED ON  
X1118

D or  
CAT No

M.A/S.A



SPECIFICATION

- BALL ~  $\phi 1.0$ " COLOUR BLACK.
- TOP RING ~ P.T.F.E. BALL SEAL/RESTRAINING RING.
- RESOLUTION ~ 415 EDGES PER BALL RESOLUTION.
- CONNECTOR ~ 6 WAY MALE, SQUARE PIN, 2.5 PITCH
- SUPPLY ~ +5V D.C.  $\pm 5\%$  @ 50mA max.
- OUTPUT ~ TTL QUADRATURE.

CONNECTION DETAILS

PIN	DESCRIPTION
1	0V GROUND
2	+5V
3	Y CHANNEL B
4	Y CHANNEL A
5	X CHANNEL B
6	X CHANNEL A

ISSUE	1	1A	1D	2				
DATE	6.11.96	20.2.97	14.5.04	07.06.05				
CHANGE	NEW DWG	ECN0587	ECN1161	ECN1256				

MATERIAL	FINISH	TOL.	SCALE
-	-	$\pm 0.25$	1:1
			DIMS mm

APP

CHKD



Esterline Corporation.  
Ringwood, Hampshire. BH24 1EU.  
Tel: +44 (0) 1425 463100  
Fax: +44 (0) 1425 463111  
www.traxsys.com

DRAWN  
R.HARNETT

TITLE	SIZE	DRAWING NUMBER
ULTRA MINIATURE TRACKERBALL (TBPA/25/P/QD)	A4	DS48860