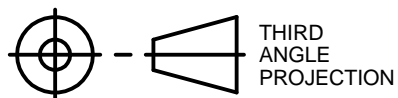


DRAWING NUMBER
DS509177

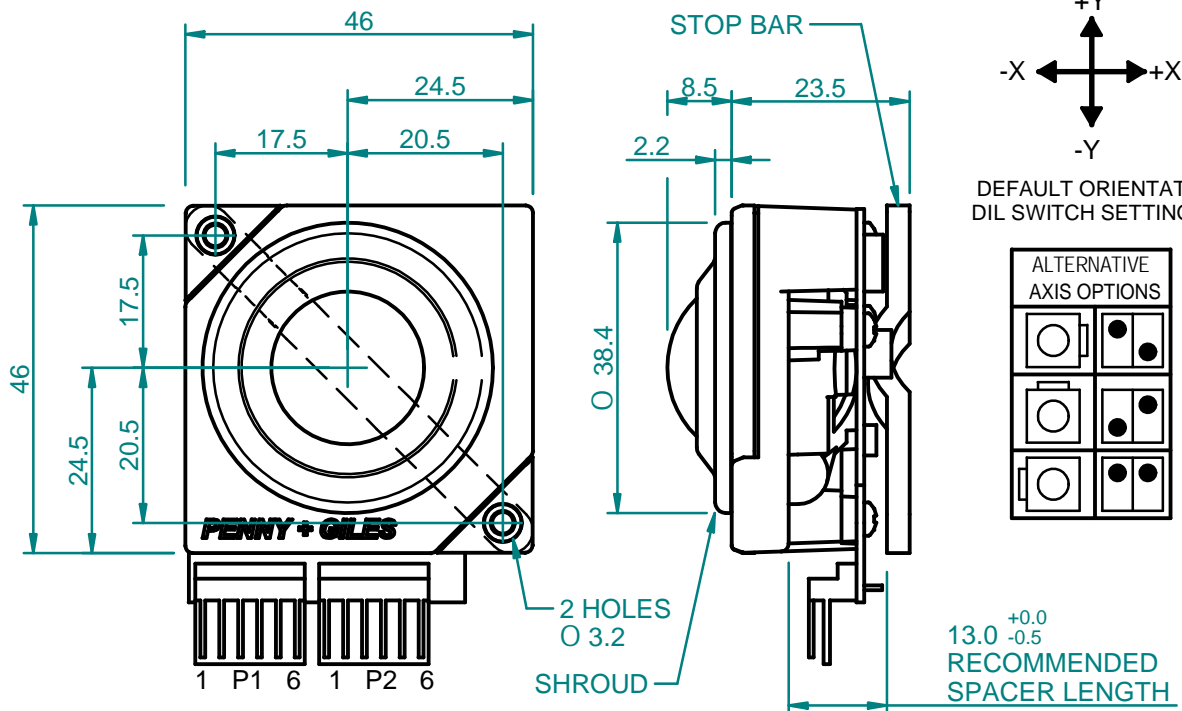
DATA SHEET



USED ON
X1370

D or
CAT No

M.A/S.A

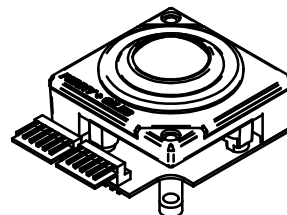


SPECIFICATION

- BALL ----- Ø 1.0" STAINLESS STEEL (POLISHED).
- BALL SEAL ----- RUBBER BALL SEAL/RESTRAINING RING.
- RESOLUTION ---- 415 EDGES PER BALL REVOLUTION.
- CONNECTOR ---- 6 PIN, 90°, 2.5 PITCH HEADER, MOLEX 5046 SERIES.
- SUPPLY ----- +5V D.C. ±5% @ 50mA MAX.
- OUTPUT ----- AUTODETECTS TO PS/2 OR USB DEPENDENT ON HOST.
- IMPACT ----- 10 JOULES.
- FEATURES ----- AXIS ORIENTATING DIL SWITCH.
- STAINLESS STEEL SHROUD.
- ACCESSORIES -- STAINLESS STEEL STOP BAR.

CONNECTION DETAILS

SWITCH INPUT (P1):		UNIVERSAL OUTPUT (P2):	
PIN	DESCRIPTION	PIN	DESCRIPTION
1	0V GND	1	-D/DATA (USB/PS2)
2	LEFT SWITCH	2	+D/CLOCK (USB/PS2)
3	0V GND	3	EARTH GROUND
4	RIGHT SWITCH	4	+5V
5	0V GND	5	SIGNAL GROUND
6	MIDDLE SWITCH	6	EARTH GROUND



ISSUE	A	1	2	3	4		
DATE	10.6.02	27.1.03	2.6.03	22.9.03	08.06.05		
CHANGE	NEW DWG	PROD.	ECN1055	ECN1095	ECN1256		

MATERIAL	FINISH	TOL.	SCALE
-	-	±1.0	1:1
			DIMS MM

APP *[Signature]*

CHKD *[Signature]*



Esterline Corporation
Ringwood, Hants, UK. BH24 1EU.
Web: www.traxsys.com Email: sales@traxsys.com
Tel: +44 (0) 1425 463100 Fax: +44 (0) 1425 463111

DRAWN
R.HARNETT

TITLE
**RUGGED ULTRA MINIATURE
PANEL MOUNTED TRACKERBALL**

SIZE
A4

DRAWING NUMBER
DS509177